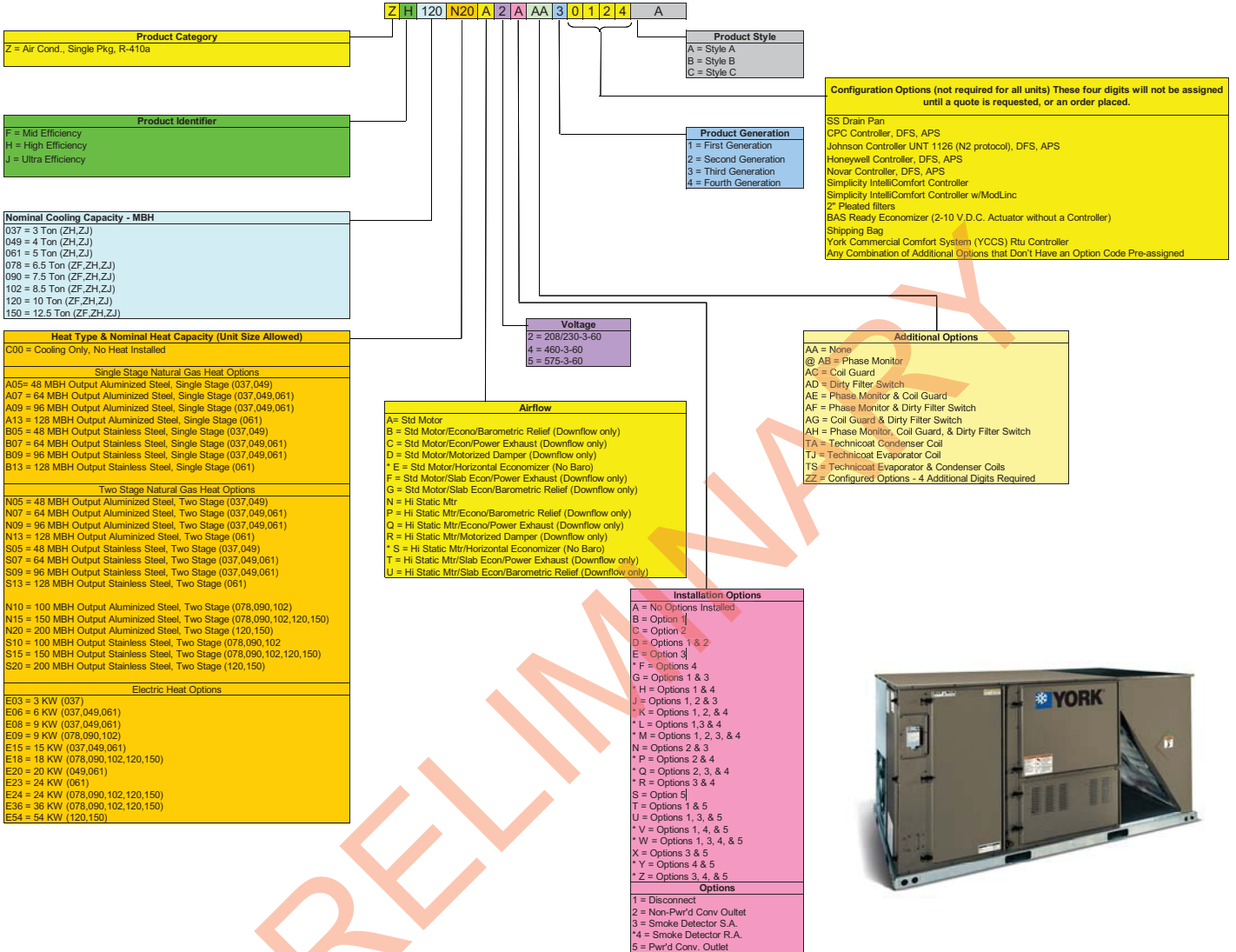


Predator[®] Model Number Nomenclature 3 to 12.5 Ton Single Package

York Brand



R410	Gas/Elec/Cool EER			Reheat	Heat Pump
	ZF	ZH	ZJ	ZR	XP
	13 SEER	14 SEER/11.6 EER	15 SEER/12 EER		
3.0	N/A	Fall 09*	Fall 09*	2010+	2010+
4.0	N/A	Fall 09*	Fall 09*	2010+	2010+
5.0	N/A	Fall 09*	Fall 09*	2010+	2010+

R410	Gas/Elec/Cool EER			Reheat	Heat Pump
	ZF-11 EER	ZH-11.5 EER	ZJ-12 EER	ZR	XP
6.5	Fall 09*	Fall 09*	Fall 09*	11.2	11.0
7.5	Fall 09*	Fall 09*	Fall 09*	11.2	11.0
8.5	Fall 09*	Fall 09*	Fall 09*	11.2	11.0
10	Fall 09*	Fall 09*	Fall 09*	11.2	11.0
12.5	Fall 09*	Fall 09*	Fall 09*	11.2	11.0

Table X: Physical Data Table

Component	Models									
	ZH078		ZH090		ZH102		ZH120		ZH150	
Nominal Tonnage	6.5		7.5		8.5		10		12.5	
ARI COOLING PERFORMANCE										
Gross Capacity @ ARI A point (Btu)	81000		93000		104000		125000		155000	
ARI net capacity (Btu)	78000		90000		102000		120000		150000	
EER	11.7		11.7		11.7		11.7		11.7	
SEER	-		-		-		-		-	
IEER	13.6		13.1		13		12.6		14.1	
IPLV	13.7		13		13.5		12.9		14.1	
Nominal CFM	2600		2700		2800		3700		3750	
System power (KW)	6.69		7.80		8.71		10.25		12.91	
Refrigerant type	R-410A		R-410A		R-410A		R-410A		R-410A	
Refrigerant charge (lb-oz)										
System 1	7-0		6-0		5-12		7-14		8-12	
System 2	6-0		6-0		5-12		7-12		8-0	
ARI HEATING PERFORMANCE										
Heating model	10	15	10	15	10	15	15	20	15	20
Heat input (K Btu)	120	180	120	180	120	180	180	240	180	240
Heat output (K Btu)	96	144	96	144	0	144	144	192	144	192
AFUE %	-	-	-	-	-	-	-	-	-	-
Steady state efficiency (%)	80	80	80	80	80	80	80	80	80	80
No. burners	4	6	4	6	4	6	6	8	6	8
No. stages	2 ¹	2 ¹	2 ¹	2 ¹	2 ¹	2 ¹	2 ¹	2 ¹	2 ¹	2 ¹
Temperature Rise Range (°F)	20-50	35-65	15-45	30-60	10-40	25-55	20-50	35-65	10-40	25-55
Gas Limit Setting (°F)	165	165	165	165	215	195	195	160	195	160
Gas piping connection (in.)	3/4	3/4	3/4	3/4	3/4	3/4	3/4	3/4	3/4	3/4
DIMENSIONS (inches)										
Length	89		89		89		89		119-1/2	
Width	59		59		59		59		59	
Height	42		42		50-3/4		50-3/4		50-3/4	
OPERATING WT. (lbs.)										
	910		910		1050		1075		1215	
COMPRESSORS										
Type	Recip		Recip		Recip		Scroll		Scroll	
Quantity	2		2		2		2		2	
Unit Capacity Steps (%)	50 / 100		50 / 100		50 / 100		50 / 100		50 / 100	
CONDENSER COIL DATA										
Face area (Sq. Ft.)	23.8		23.8		23.8		29.0		29.0	
Rows	1		1		1		1		1	
Fins per inch	23		23		23		23		23	
Tube diameter (in./MM)	1/25		1/25		.71/18		1/25		1/25	
Circuitry Type	2-pass Microchannel		2-pass Microchannel		2-pass Microchannel		2-pass Microchannel		2-pass Microchannel	
EVAPORATOR COIL DATA										
Face area (Sq. Ft.)	10.6		10.6		13.2		13.2		13.2	
Rows	3		3		3		4		4	
Fins per inch	15		15		15		15		15	
Tube diameter	0.375		0.375		0.375		0.375		0.375	
Circuitry Type	Intertwined		Intertwined		Intertwined		Intertwined		Intertwined	
Refrigerant control	TXV		TXV		TXV		TXV		TXV	
CONDENSER FAN DATA										
Quantity of fans	2		2		2		2		4	
Fan diameter (Inch)	24		24		24		24		24	
Type	Prop		Prop		Prop		Prop		Prop	
Drive type	Direct		Direct		Direct		Direct		Direct	
Quantity of motors	2		2		2		2		4	
Motor HP each	1/3		3/4		3/4		3/4		1/3	
No. speeds	1		1		1		1		1	
RPM	850		1110		1110		1110		850	
Nominal total CFM	6700		8600		9000		9400		11500	
BELT DRIVE EVAP FAN DATA										
Quantity	1		1		1		1		1	
Fan Size (Inch)	12 x 12		12 x 12		15 x 15		15 x 15		15 x 15	
Type	Centrifugal		Centrifugal		Centrifugal		Centrifugal		Centrifugal	
Motor Sheave	1VP34	1VM50	1VL44	1VP34	1VM50	1VL44	1VL40	1VM50	1VP56	1VP56
Blower Sheave	AK69	AK64	AK69	AK56	AK89	AK56	AK61	AK74	AK74	BK77
Belt	A47	A49	A47	A47	A56	A47	A47	A54	A47	BX55
Motor HP each	1-1/2	2	1-1/2	1-1/2	2	1-1/2	1-1/2	3	2	5
RPM	1725	1725	1725	1725	1725	1725	1725	1725	1725	1725
Frame size	56	56	56	56	56	56	56	56	56	184T
FILTERS										
Quantity - Size	4 - (25 x 16 x 2)		4 - (25 x 16 x 2)		4 - (25 x 16 x 2)		4 - (25 x 16 x 2)		4 - (25 x 16 x 2)	
	4 - (25 x 16 x 4)		4 - (25 x 16 x 4)		4 - (25 x 16 x 4)		4 - (25 x 16 x 4)		4 - (25 x 16 x 4)	

¹ 1st Stage 60% of 2nd Stage

SUBMITTAL DATA SHEET



**SINGLE PACKAGE AIR CONDITIONERS AND
GAS/ELECTRIC HEAT UNITS, 3 THROUGH 12-1/2 TONS
MODELS: DM/DF/DH078-120, DJ150, DR090-150,
ZH/ZJ037-150, ZF/ZR078-150**

JOB NAME:		LOCATION:		
PURCHASER:		ORDER NO:		
ENGINEER:				
SUBMITTED TO:	FOR:	REF:	APPROVAL:	CONSTRUCTION:
SUBMITTED BY:		DATE:		
UNIT DESIGNATION:		SCHEDULE NO.		MODEL NO.

COOLING PERFORMANCE

TOTAL CAPACITY----- MBH
 SENSIBLE CAPACITY ----- MBH
 OUTDOOR DESIGN TMP. _____ °F DB/WB
 TOTAL SUPPLY AIR ----- CFM
 TEMP. OF AIR ENTERING
 EVAPORATOR COIL ----- °F
 POWER INPUT REQ. ----- KW
 (LESS BLOWER MOTOR)

HEATING PERFORMANCE

ELECTRIC HEAT ----- KW
 GAS-FIRED INPUT CAP. ----- MBH

SUPPLY AIR BLOWER PERFORMANCE

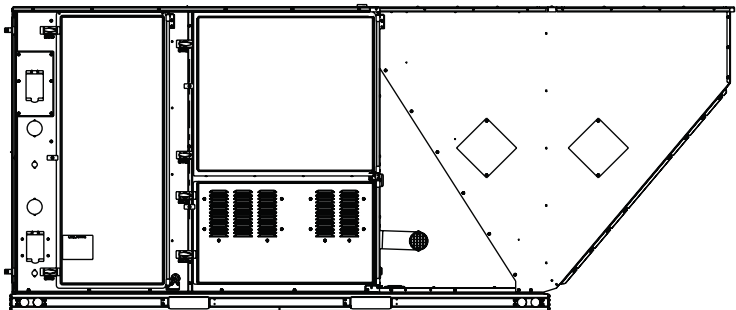
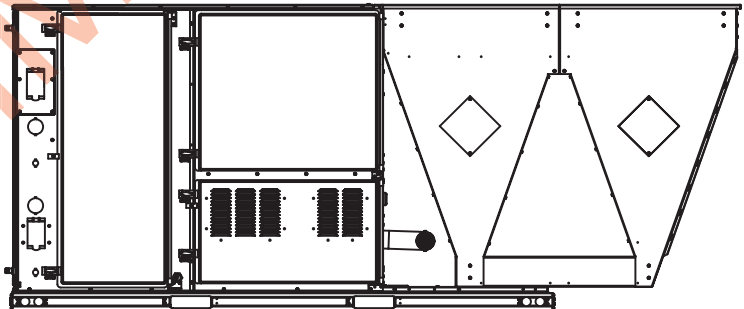
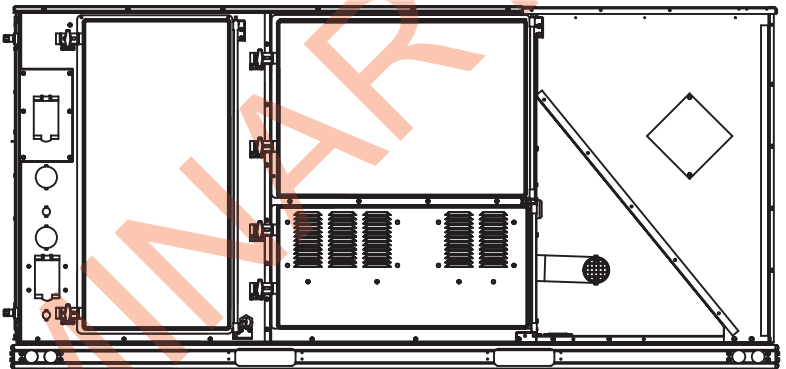
TOTAL SUPPLY AIR ----- CFM
 EXT. STATIC PRESS. ----- IWG
 BLOWER SPEED----- RPM
 POWER OUTPUT REQ. ----- BHP
 MOTOR RATING ----- HP
 POWER INPUT REQ. ----- KW

ELECTRICAL DATA

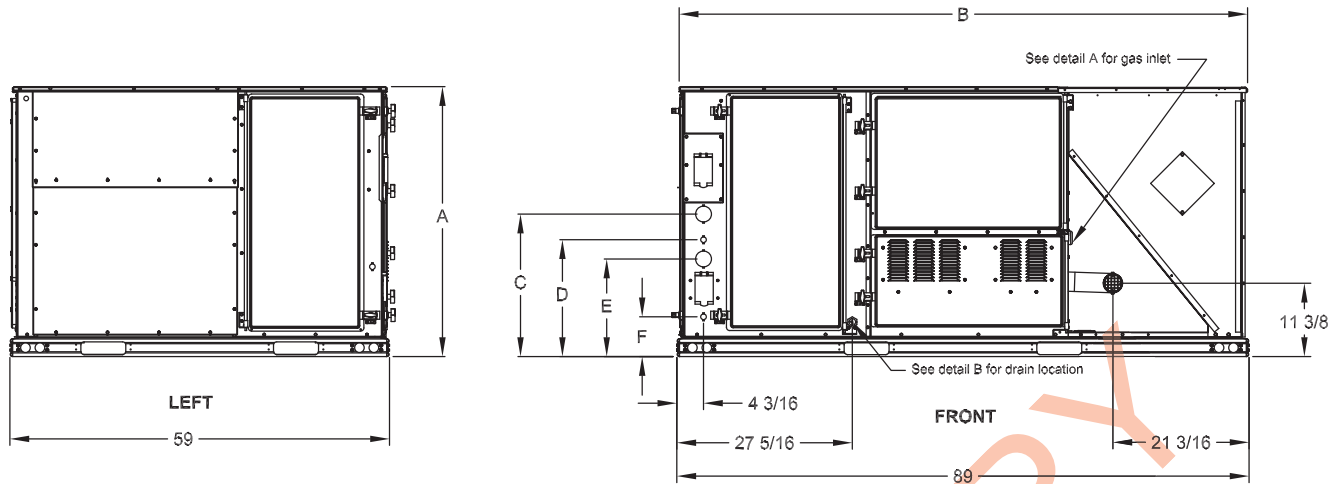
POWER SUPPLY -----
 TOTAL UNIT AMPACITY ----- AMPS
 MAX. OVERCURRENT DEVICE
 ___ FUSE ___ BREAKER ----- AMPS

TOTAL UNIT WEIGHT

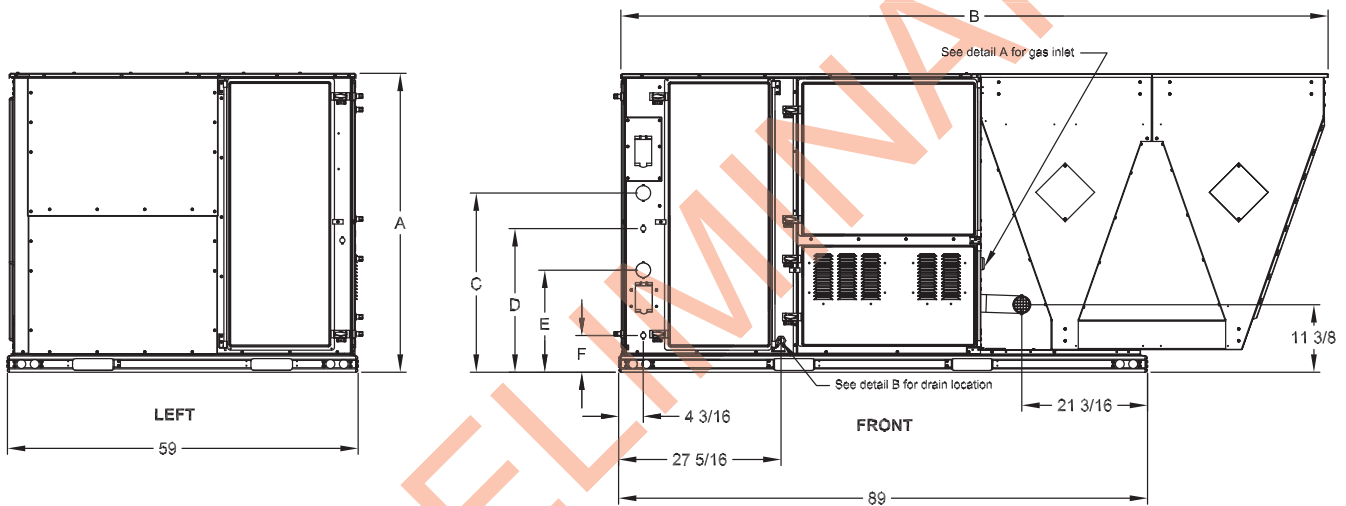
INCLUDING FACTORY- INSTALLED
 OPTIONS----- LBS



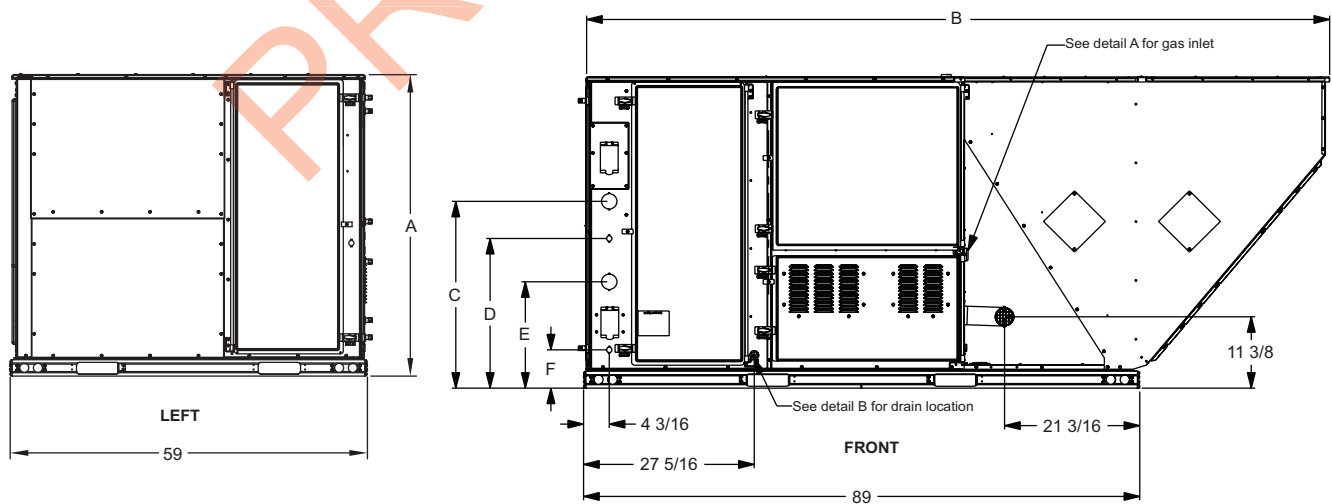
3 to 12.5 Ton (See Physical Dimensions table for exact models)



12.5 Ton ZJ, ZR, DJ, DR



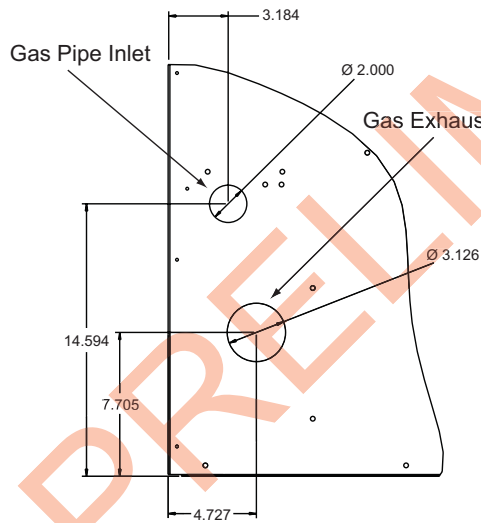
12.5 Ton ZF, ZH



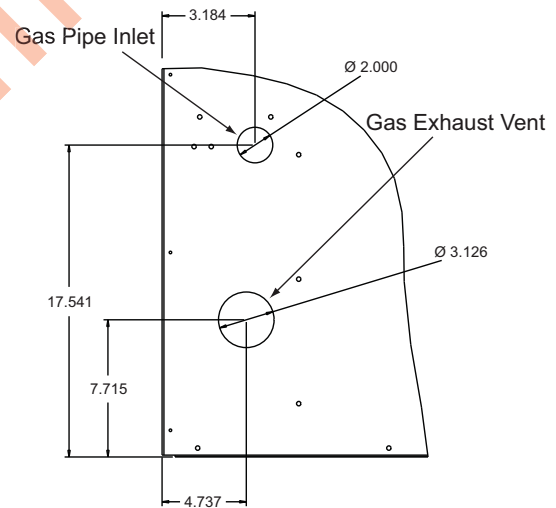
3 to 12.5 Ton Unit Physical Dimensions

Unit Model Number	Dimension (in.)					
	A	B	C	D	E	F
DM078	50 3/4	89	30 3/16	24 3/16	17 3/16	6 3/16
DM090,102	42	89	22 1/8	18 3/16	15 3/16	6 3/16
DM120, 150	50 3/4	89	30 3/16	24 3/16	17 3/16	6 3/16
DF078	50 3/4	89	30 3/16	24 3/16	17 3/16	6 3/16
DF090, 102	42	89	22 1/8	18 3/16	15 3/16	6 3/16
DF120	50 3/4	89	30 3/16	24 3/16	17 3/16	6 3/16
DH078, 090, 102	42	89	22 1/8	18 3/16	15 3/16	6 3/16
DH120, 150	50 3/4	89	30 3/16	24 3/16	17 3/16	6 3/16
DJ150	50 3/4	119 1/2	30 3/16	24 3/16	17 3/16	6 3/16
DR090,120	50 3/4	89	30 1/5	24 3/16	17 3/16	6 3/16
DR150	50 3/4	119 1/2	30 1/5	24 3/16	17 3/16	6 3/16
ZF078, 090	42	89	22 1/8	18 3/16	15 3/16	6 3/16
ZF102, 120	50 3/4	89	30 3/16	24 3/16	17 3/16	6 3/16
ZF150	50 3/4	119 1/2	30 3/16	24 3/16	17 3/16	6 3/16
ZH037, 049, 061, 078, 090	42	89	22 1/8	18 3/16	15 3/16	6 3/16
ZH102, 120	50 3/4	89	30 3/16	24 3/16	17 3/16	6 3/16
ZH150	50 3/4	119 1/2	30 3/16	24 3/16	17 3/16	6 3/16
ZJ037,049,061	42	89	22 1/8	18 3/16	15 3/16	6 3/16
ZJ078, 090, 102, 120	50 3/4	89	30 3/16	24 3/16	17 3/16	6 3/16
ZJ150	50 3/4	119 1/2	30 3/16	24 3/16	17 3/16	6 3/16
ZR078, 090	42	89	22 1/8	18 3/16	15 3/16	6 3/16
ZR102, 120	50 3/4	89	30 3/16	24 3/16	17 3/16	6 3/16
ZR150	50 3/4	119 1/2	30 3/16	24 3/16	17 3/16	6 3/16

Detail A

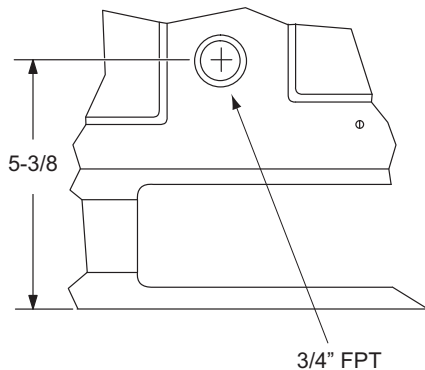


42" CABINET

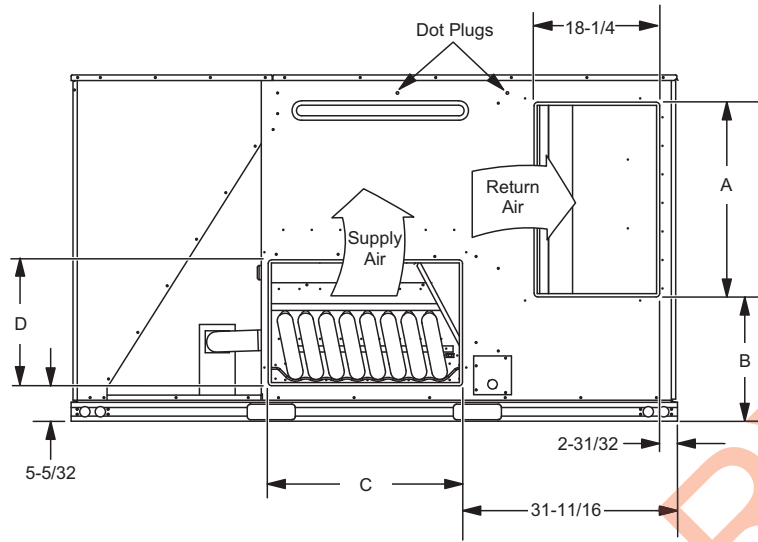


50 3/4" CABINET

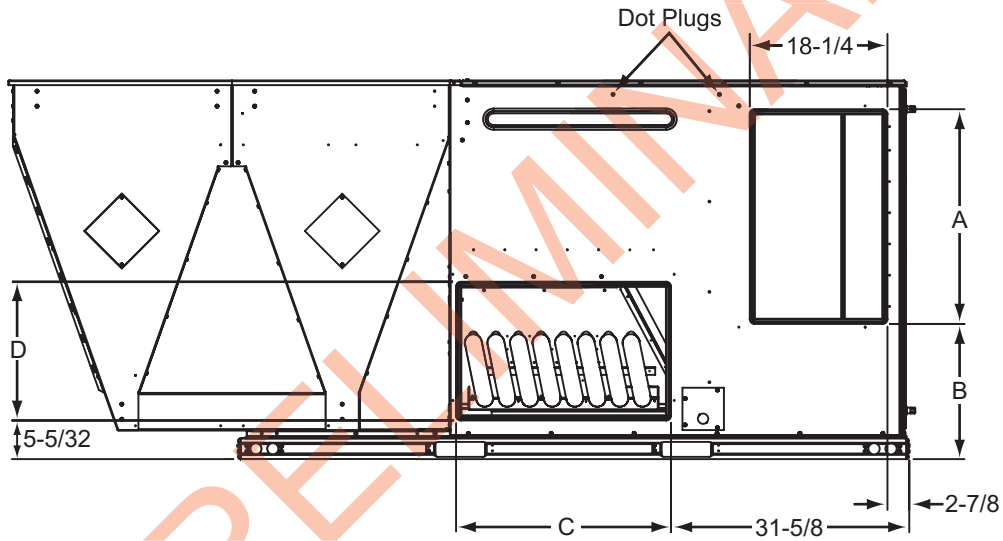
Detail B



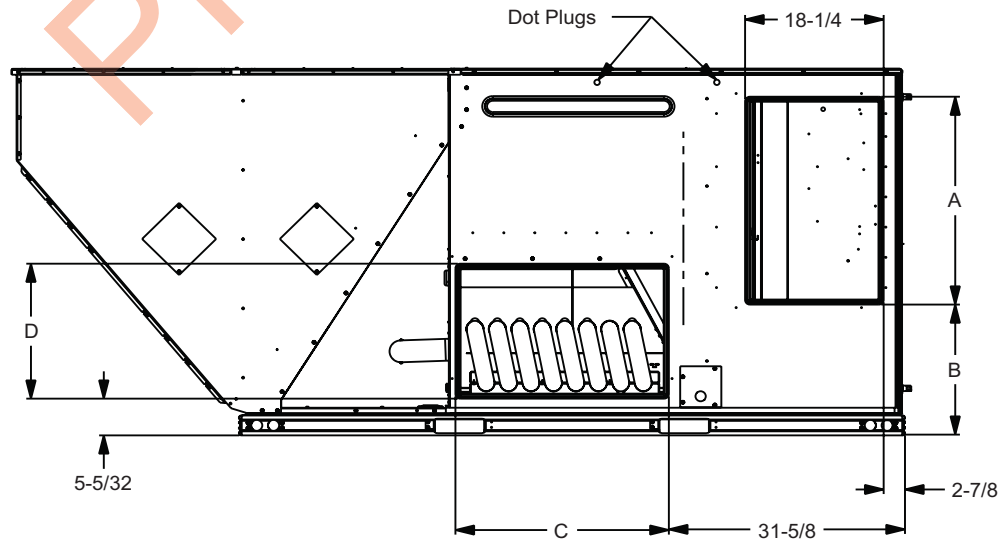
3 to 12.5 Ton Unit Side Duct Openings



12.5 Ton Unit Side Duct Openings - ZJ/ZR/DJ/DR150



12.5 Ton Unit Side Duct Openings - ZH/ZF150



3 to 12.5 Ton Side Duct Dimensions

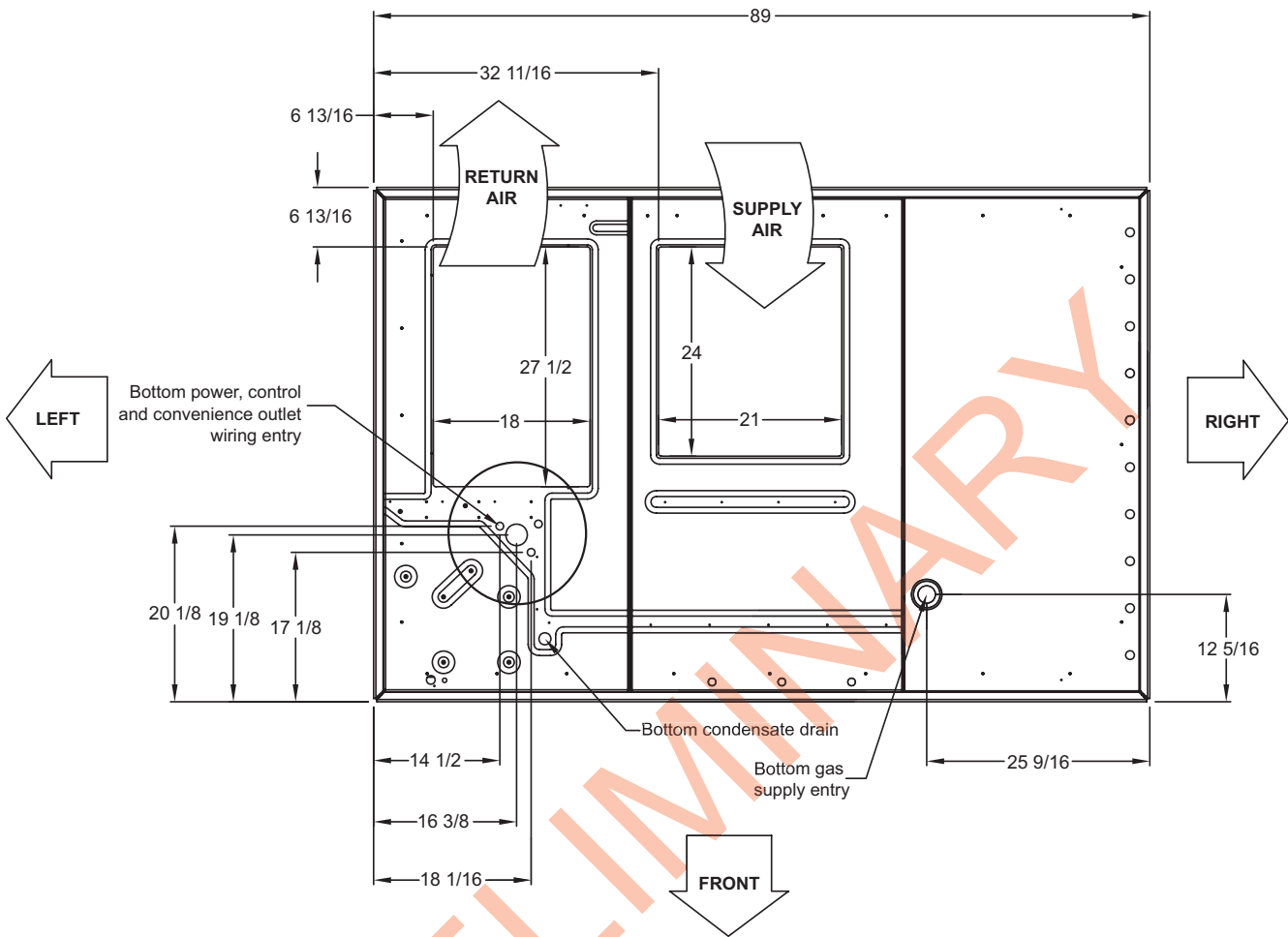
Unit Model Number	Dimension (in.)			
	A	B	C	D
DM078	28 1/4	18 1/16	28 1/4	18 1/4
DM090, 102	27 3/4	12 1/16	27 1/2	16
DM120, 150	28 1/4	18 1/16	28 1/4	18 1/4
DF078	28 1/4	18 1/16	28 1/4	18 1/4
DF090, 102	27 3/4	12 1/16	27 1/2	16
DF120	28 1/4	18 1/16	28 1/4	18 1/4
DH078, 090, 102	27 3/4	12 1/16	27 1/2	16
DH120, 150	28 1/4	18 1/16	28 1/4	18 1/4
DJ150	28 1/4	18 1/16	28 1/4	18 1/4
DR090, 120	28 1/4	18 1/16	28 1/4	18 1/4
DR150	28 1/4	18 1/16	28 1/4	18 1/4
ZF078, 090	27 3/4	12 1/16	27 1/2	16
ZF102, 120	28 1/4	18 1/16	28 1/4	18 1/4
ZF150	28 1/4	18 1/16	28 1/4	18 1/4
ZH037, 049, 061, 078, 090	27 3/4	12 1/16	27 1/2	16
ZH102, 120	28 1/4	18 1/16	28 1/4	18 1/4
ZH150	28 1/4	18 1/16	28 1/4	18 1/4
ZJ037, 049, 061	27 3/4	12 1/16	27 1/2	16
ZJ078, 090, 102, 120	28 1/4	18 1/16	28 1/4	18 1/4
ZJ150	28 1/4	18 1/16	28 1/4	18 1/4
ZR078, 090	27 3/4	12 1/16	27 1/2	16
ZR102, 120	28 1/4	18 1/16	28 1/4	18 1/4
ZR150	28 1/4	18 1/16	28 1/4	18 1/4

3 to 12.5 Ton Unit Clearances

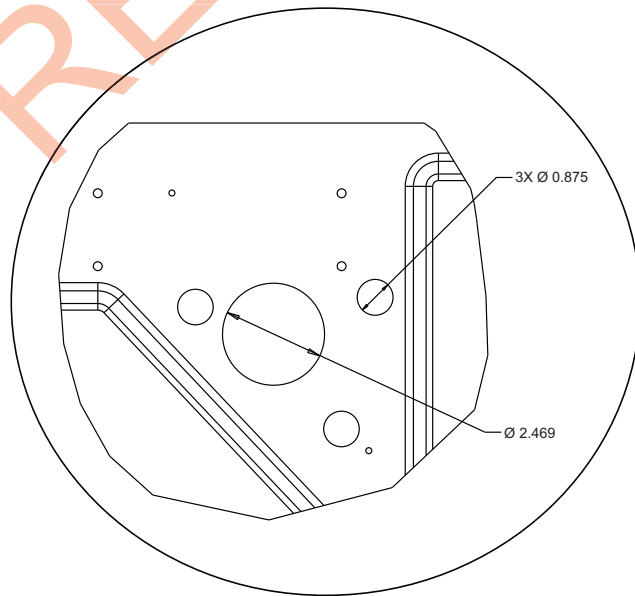
Direction	Distance (in.)	Direction	Distance (in.)
Top ¹	72	Right	12
Front	36	Left	36
Rear	36	Bottom ²	0

1. Units must be installed outdoors. Over hanging structure or shrubs should not obscure condenser air discharge outlet.
2. Units may be installed on combustable floors made from wood or class A, B or C roof covering materials.

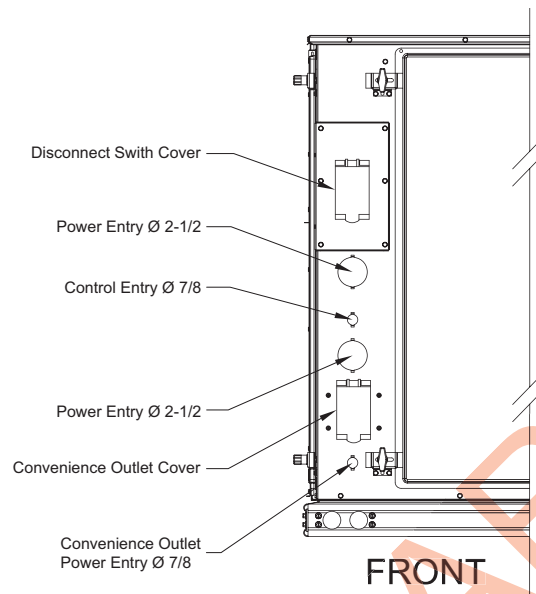
3 to 12.5 Ton Unit Bottom Duct Openings (inches)



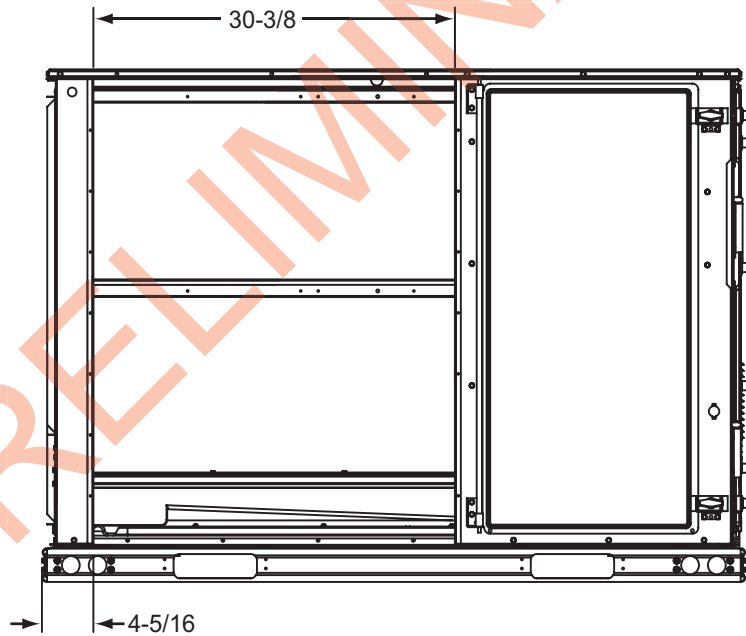
TOP VIEW



3 to 12.5 Ton Unit Electrical Entry (inches)



3 to 12.5 Ton Unit Left Economizer Duct Opening (inches)

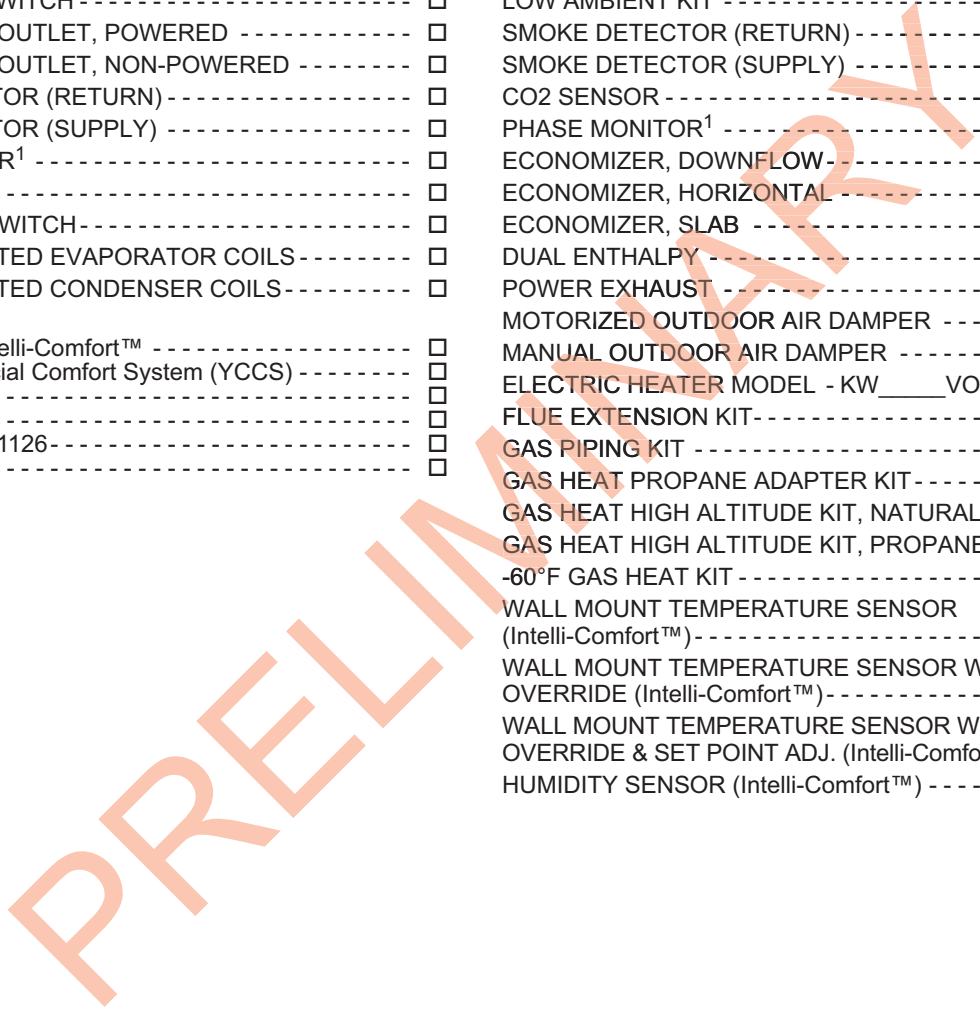


FACTORY INSTALLED OPTIONS

- ELECTRIC HEATER MODEL - KW ____ VOLTS ____
- STAINLESS STEEL HEAT EXCHANGER -----
- ALUMINIZED STEEL HEAT EXCHANGER -----
- STAINLESS STEEL DRAIN PAN-----
- ECONOMIZER, DOWNFLOW-----
- ECONOMIZER, HORIZONTAL -----
- ECONOMIZER, SLAB -----
- POWER EXHAUST -----
- MOTORIZED AIR DAMPER -----
- HIGH STATIC INDOOR BLOWER MOTOR -----
- DISCONNECT SWITCH -----
- CONVENIENCE OUTLET, POWERED -----
- CONVENIENCE OUTLET, NON-POWERED -----
- SMOKE DETECTOR (RETURN)-----
- SMOKE DETECTOR (SUPPLY) -----
- PHASE MONITOR¹ -----
- COIL GUARD -----
- DIRTY FILTER SWITCH-----
- PHENOLIC COATED EVAPORATOR COILS -----
- PHENOLIC COATED CONDENSER COILS-----
- BAS OPTION
 - Simplicity® Intelli-Comfort™ -----
 - York Commercial Comfort System (YCCS) - -----
 - Honeywell™ -----
 - Novar® -----
 - Johnson UNT 1126-----
 - CPC -----

FIELD INSTALLED ACCESSORIES

- ROOF CURB, 8" -----
- ROOF CURB, 14"-----
- TRANSITION ROOF CURB -----
- COIL GUARD -----
- HAIL GUARD-----
- PERMANENT FILTERS -----
- METAL FILTER FRAME KIT -----
- DIRTY FILTER SWITCH-----
- AIR PROVING SWITCH -----
- BURGLAR BARS (DOWNFLOW ONLY) -----
- LOW AMBIENT KIT -----
- SMOKE DETECTOR (RETURN)-----
- SMOKE DETECTOR (SUPPLY) -----
- CO2 SENSOR -----
- PHASE MONITOR¹ -----
- ECONOMIZER, DOWNFLOW-----
- ECONOMIZER, HORIZONTAL -----
- ECONOMIZER, SLAB -----
- DUAL ENTHALPY -----
- POWER EXHAUST -----
- MOTORIZED OUTDOOR AIR DAMPER -----
- MANUAL OUTDOOR AIR DAMPER -----
- ELECTRIC HEATER MODEL - KW ____ VOLTS ____
- FLUE EXTENSION KIT-----
- GAS PIPING KIT -----
- GAS HEAT PROPANE ADAPTER KIT-----
- GAS HEAT HIGH ALTITUDE KIT, NATURAL GAS -----
- GAS HEAT HIGH ALTITUDE KIT, PROPANE-----
- 60°F GAS HEAT KIT -----
- WALL MOUNT TEMPERATURE SENSOR
(Intelli-Comfort™)-----
- WALL MOUNT TEMPERATURE SENSOR WITH
OVERRIDE (Intelli-Comfort™)-----
- WALL MOUNT TEMPERATURE SENSOR WITH
OVERRIDE & SET POINT ADJ. (Intelli-Comfort™)-----
- HUMIDITY SENSOR (Intelli-Comfort™) -----



1. Phase monitor standard on units with scroll compressors.