



Heating and Air Conditioning

TECHNICAL GUIDE

R-410A

AFFINITY™ SERIES

BHX, BHQ AND BHZ MODELS

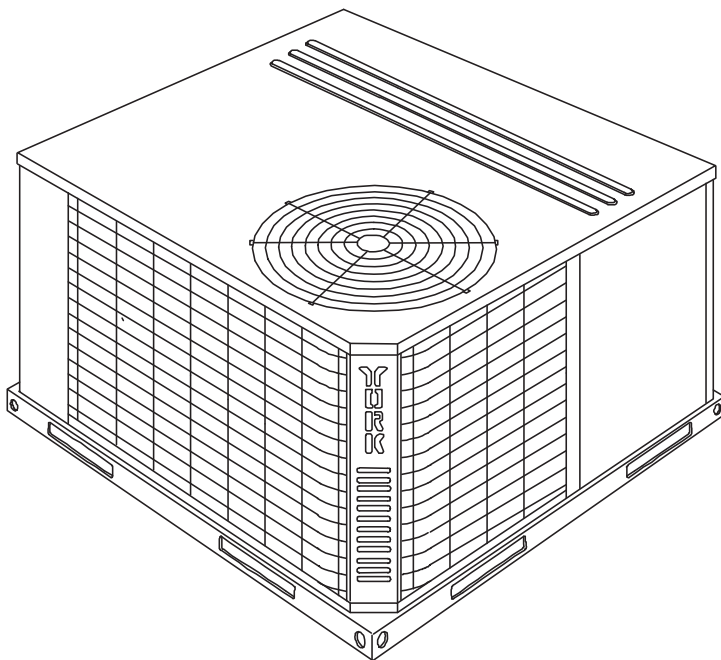
2 - 5 TON

60 Hertz

Description

These York® Affinity™ packaged heat pumps are designed for outdoor installation. Only utility and duct connections are required at the point of installation.

Field-installed electric heater accessories are available to provide electric heat, if required.



Tested in accordance with:



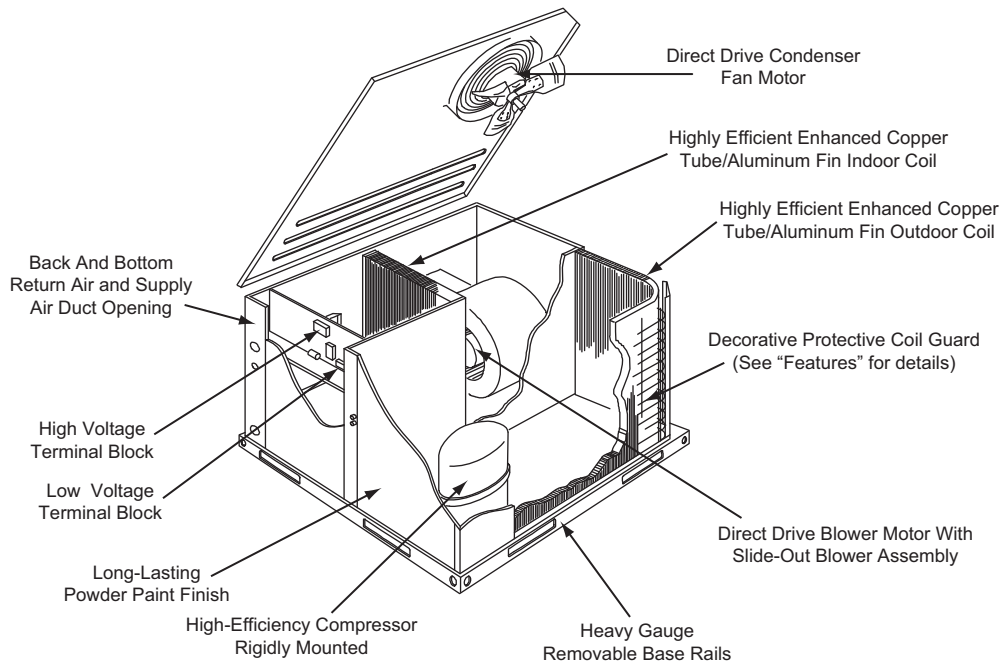
ISO 9001
Certified Quality
Management System

Table of Contents

Description	1
Table of Contents	2
Component Location	2
Nomenclature	3
Heat Pump	3
Features and Benefits	3
Guide Specifications	5
Physical Data	7
Capacity Performance	11
Airflow Performance	45
Sound Performance	59
Electrical Data	60
Weights and Dimensions	75

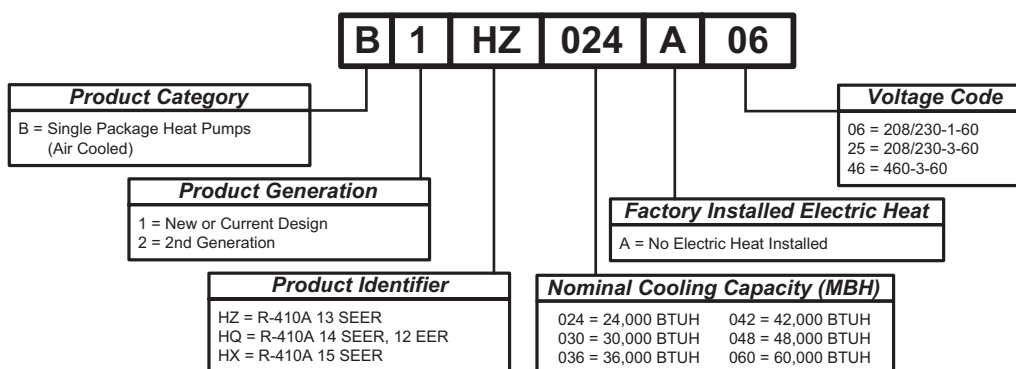
Component Location

Heat Pump



Nomenclature

Heat Pump



Features and Benefits

Standard Features

- **Operating Efficiency** - All heat pump units provide operating efficiencies of 13 to 15 SEER and 7.7 to 8.0 HSPF. All efficiencies exceed legislated minimum levels.
- **On Site Flexibility** - All model sizes share a common, compact design cabinet in a single footprint. The installer has the flexibility of setting one curb and placing the proper tonnage unit on that curb after the internal load has been determined. Field convertible duct connections from side shot to down shot allows the installer to have greater flexibility with less inventory.
- **Lower Installation Cost** - Installation time and costs are reduced by easy power and control wiring connections. The small base dimension means less space is required on the ground or roof, plus, the installer can fit this unit between the wheel wells of full size pick-up truck.
- All units are completely wired, charged with R-410A and tested prior to shipment. Unique test stations using a new state of the art computerized process system are used to insure product quality. Refrigerant charge and component part numbers are verified via computers at assembly. Vital run test statistics such as system pressure, motor currents, air velocity and temperature, unit vibration, and gas system safeties are monitored and recorded by the system to insure unit performance.
- Equal size, side supply and return duct connections allows easy hook-up of ducts to match low crawl spaces without transition pieces.
- **Utility Connections Made Easy** - Electric utility knockouts are provided through the bottom as well as the side of the unit. Utility connections can be made quickly and with a minimum amount of field labor. A field supplied and field installed electrical disconnect switch must be installed.
- **Convertible Airflow Design** - The bottom duct openings are covered when they leave the factory ready to be used for a side supply/side return application. If a bottom supply/bottom return application is desired, you simply remove the two panels from the bottom of the unit and place them in the side supply/side return duct openings. No panel cutting is required and no accessory panel is necessary. Convertible airflow design allows maximum field flexibility and minimum inventory.
- **Condensate Pan** - A non-corrosive, long-lasting, water-tight pan is positioned below the evaporator coil to collect and drain all condensate. Less collection of stagnate condensate will build-up. The condensate pan conforms to ASHRAE 62-89 standards (Ventilation for Acceptable Indoor Air Quality).
- **Condensate Drain** - The 3/4 inch NPTF connection is rigidly mounted to assure proper fit and leak tight seal.
- **Durable Finish** - With a heavy duty cabinet made of powder-painted, galvanized steel the neutral color blends into surrounding areas. The powdered paint provides a better paint to steel bond, which resists corrosion and rust creep. The special primer formulas and glossy finish insures less fading when exposed to sunlight and offers a more attractive on site appearance. This paint finish meets ASTM-B117 standards for 1000 hours salt spray rating. The highest in the industry.
- **Full Perimeter Base Rails** - The easily removable base rails provide a solid foundation for the entire unit and protects the unit during shipment. The rails provide fork lift access from all sides, and rigging holes are also provided so that an overhead crane can be used to place the units on a roof. On applications where the unit is placed on a pad, the base will keep the unit off the pad to deter corrosion. On applications where height is limited, the inch high base rails may be removed on location.

- **More Attractive Appearance** - A single piece Water Shed top cover containing a top discharge condenser fan arrangement requires less square footage on installation and provides a wider variety of installations. The one piece design adds greater water integrity. Rounded corners with water drip edges add to the attractive appearance. The cabinet panels have a non-fibrous insulation that will not release insulation fibers into conditioned area.
- **Top Discharge** - The top discharge condenser fan does not disrupt neighboring areas or dry-out vegetation surrounding the unit. The warm air from the top mounted fan is blown up away from the structure and any landscaping. This allows compact location on multi-unit applications.
- **Condenser Coil Grille** - All 13 SEER models and 5 ton 14 SEER/12EER models utilize a decorative "Wire Form" coil guard to provide impact protection against large objects. The remaining higher SEER models utilize a stamped "Louvered" design which provides superior impact protection against smaller objects during transit and after installation.
- **Low Operating Sound Level** - The upward air flow carries the normal operating noise up and away from the living area. The rigid top panel effectively isolates any motor sound. Isolator mounted compressor and the rippled fins of the condenser coil muffle the normal fan motor and compressor operating sounds. The unique formed base pan also aids in sound alterations with it's Super-Structure design. This design strategically places embossments in the pan for optimum strength and rigidity.
- **Fan System** - All models operate over a wide range of design conditions with an electrically commutated fan motor. These units easily match all types of applications and provide greater on site flexibility to match comfort requirement. The cooling speed is factory set and can be field adjusted to a second speed. The heating speed is factory set to maintain mid point rise at the units heating input, but can be field adjusted. This allows maximum comfort conditions.
- **Simple Control Circuit** - A low voltage printed circuit board contains a diagnostic indicator light and a low voltage terminal strip. An additional set of pin connectors is also provided to simplify the field interface of external controls. Mate-n-lock plug connectors are used. The electrical control box is not located in the compressor compartment. The controls are mounted on a Control-Tilt control panel to allow the access cover to be removed for trouble shooting and maintenance without affecting the normal system operating pressures. All wiring internal to the unit is color/number coded.
- **Protected Compressor** - The compressor is internally protected against high pressure and temperature. This is accomplished by the simultaneous operation of high pressure relief valve and a temperature sensor which protect the compressor if undesirable operating conditions occur.
- **Pressure Switches** - High pressure and low pressure/loss of charge switches standard in all units. When abnormal conditions are sensed through the pressure switches, the unit will lock out preventing any further operation until reset or problem is corrected.
- **Exclusive Coil Design** - Grooved copper tubes and enhanced aluminum fin construction improves heat transfer for maximum efficiency and durability.
- **Low Maintenance** - Long life, permanently lubricated condenser and evaporator fan motor bearings need no annual maintenance adding greater reliability to the unit. Blower assembly can be easily cleaned by the unique Slip-Track slide-out blower assembly.
- **Secured Service Access Ports** - Protected, externally mounted, re-usable service access ports are provided on both the high and low lines for ease of evacuating and charging the system. No final field mounting required.
- **Easy Service Access** - A large, single panel covers the electrical and gas controls makes servicing easy. The blower compartment has an additional large panel with a built-in handle tab. Removing this panel will allow the blower assembly to slide-out for easy removal for maintenance and ease of trouble shooting.
- **Replacement Parts** - The installer requires no special training to replace any of the components of these units and does not need to maintain an inventory of unique parts.
- **System Integration** - Each unit has the internal ability to integrate an electronic air cleaner or humidifier to work in conjunction with the base unit.

Field Installed Accessories

- **Economizer Down Discharge/Supply Kit** - Modulating integrated economizer provides simultaneous operation between the mechanical cooling and economizer operation. Independent blade design insures proper control and less than 1% leak rate. Includes hood and mesh bird screen filter integrated into the hood, dry bulb sensor and relief damper. Separate field accessories of single enthalpy and dual enthalpy are also available. A built-in barometric relief of 25% is provided.
- **Single Enthalpy Sensor** - Sensor replaces dry bulb sensor standard in economizer kit. Provides improved economizer operation by sensing the dry bulb temperature from outdoors plus the enthalpy content of the outdoor air.
- **Dual Enthalpy Sensor** - Additional sensor to single enthalpy sensor. Sensor senses both the return air temperature dry bulb and humidity in conjunction with the single enthalpy to determine the most economical mix. Single Enthalpy sensor also required.
- **Hail Guard Kit** - Kit contains protective grilles made of expanded aluminum with full perimeter frame. Sloped hoods are also included to assure maximum protection.

- **Anti Short Cycle Timer (BHZ Units Only) -** Automatically prevents the compressor from restarting for 5 minutes after cycled off. Not required if Thermostat 2ET07700224 and 2ET04700224 are used. Standard in all BHZ units.
- **Filter/Frame Kit (Single Phase Only) -** Kit contains the necessary hardware to field install return air filters into the base unit. Pre-cut filter racks and appropriate cleanable standard size filters are shipped in one kit. The filter rack is suitable for either 1" or 2" filters. (1" filter is supplied) This kit is available for single phase horizontal or vertical duct application only. Standard in all 3 Phase models.
- **Motorized Fresh Air Damper -** Designed for duct mounted side supply/return and unit mounted down supply/return applications. Damper capable of providing 0% through 50% of outdoor air (field supplied). Closes on power loss, includes hood and screen assembly.
- **Rectangle To Round Adapters -** Kit includes one supply and one return air rectangle to round duct adapter. Adapters are preformed and designed to fit over current duct openings on the base unit. Transition is from side square duct opening to 14" round duct opening.
- **Roof Curbs -** NRCA approved curbs provide proper fit to base unit for rooftop installations. Curbs are designed to be assembled through hinge pins in each corner. Kit also provides seal strip to assure a water tight seal. 8 and 14 inch high roof curbs are available.
- **Manual Outdoor Damper -** Provides 0% through 50% outdoor air capability (field adjustable). Designed for duct mounted side supply/return applications. Includes hood and screen assembly.
- **Wall Thermostat -** The units are designed to operate with 24-volt electronic and electro-mechanical thermostats. All units can operate with single stage heat/single stage cool thermostats - with or without the economizer.
- **Low Ambient Kit -** Kit provides necessary hardware to convert unit to operate in cooling cycle down to 0° F. Standard unit operation 45° F.
- **Transformer Kit -** Kit provides necessary hardware to provide single phase models from factory furnished 40 VA transformer capability to 75 VA transformer capability. (Required on installations with economizer or motorized damper.)

Guide Specifications

General

Units shall be manufactured by York International Unitary Products Group in an ISO 9001 certified facility. YORK's Affinity™ package units give you the flexibility and choices you need in today's market. These packaged heat pumps are designed for outdoor installation. Only utility and duct connections are required at the point of installation.

Description

Units shall be factory-assembled, single packaged, heat pump units, designed for outdoor mounted installation. For SEER ratings, refer to technical literature. They shall have built in, equal size, field convertible duct connections for down discharge supply/return or horizontal discharge supply/return. The units shall be factory wired, piped, charged with R-410A Refrigerant and factory tested prior to shipment. All unit wiring shall be both numbered and color coded. All units shall be manufactured in a facility certified to ISO 9001 standards, and the cooling performance shall be rated in accordance with DOE and ARI test procedures. The heating performance shall be rated to DOE and GAMA test procedures. Units shall be CSA listed and classified to ANSI Z21.47/CAN/CSA 2.3 standards and UL 1995/CAN/CSA No. 236-M90 conditions.

Unit Cabinet

Unit cabinet shall be constructed of galvanized steel, with exterior surfaces coated with a non-chalking, powdered paint finish, certified at 1000 hours salt spray test per ASTM-B117 standards. The unit top shall be a single piece "Water Shed" design, with drip edges and no-seam corners to provide optimum water integrity. Unit shall have a rigidly mounted condenser coil guard to provide protection from objects and personnel after installation. Indoor blower section shall be insulated with up to 3/4" thick, aluminum, foil faced insulation, fastened to prevent insulation from entering the air stream. Cabinet panels shall be "large" size, easily removable for servicing and maintenance, with built-in lift handles. Unit shall be built on a formed, "Super-Structure" design base pan, with embossments at critical points to add strength, rigidity and aid in minimizing sound. Full perimeter base rails shall be provided to assure reliable transit of equipment, overhead rigging, for truck access and proper sealing on roof curb applications. Base rails shall be removable, when required, to lower unit height. Filters shall be furnished and be accessible through a removable access door, sealed airtight. Units vertical discharge and return duct configuration shall be designed to fit between standard 24" O.C. beams without modification to building structure, duct work and base unit. Condensate pan shall be internally sloped and conform to ASHRAE 62-89 self-draining standards, with 3/4" NPTI copper, ridged mount connection.

Indoor (Evaporator) Fan Assembly

Fan shall be direct drive design. Fan wheel shall be double-inlet type with forward-curved blades, dynamically balanced to operate smoothly throughout the entire range of operation. Airflow design shall be constant air volume. Bearings shall be sealed and permanently lubricated for longer life and no maintenance. Fan assembly shall be "Slip Track" (slide-out) design for easy removal and cleaning.

Outdoor (Condenser) Fan Assembly

The outdoor fan shall be of the direct-driven propeller type, discharge air vertically, have aluminum blades riveted to corrosion resistant steel spider bracket and shall be statically balanced for smooth operation. The outdoor fan motor shall be

totally enclosed with permanently lubricated bearings and internally protected against overload conditions.

Refrigerant Components

Compressors:

- a. Shall be fully hermetic type, direct drive, internally protected with internal high-pressure relief and over temperature protection. The hermetic motor shall be suction gas cooled and have a voltage range of +/- 10% of the unit nameplate voltage.
- b. Shall have internal isolation and sound muffling to minimize vibration and noise, and be externally isolated on a dedicated, independent mounting.

Coils:

- a. Evaporator and condenser coils shall have aluminum plate fins mechanically bonded to seamless internally enhanced copper tubes with all joints brazed.

- b. Evaporator coil shall be of the direct expansion, blow through design, while condenser coil shall be draw through design.

Refrigerant Circuit and Refrigerant Safety Components shall include:

- a. Shall include independent fixed orifice expansion devices.
- b. Shall include filter/strainer to eliminate any foreign matter.

Electric Heating Section (Field Install Accessory)

An electric heating section, with nickel chromium elements, shall be provided in a range of 5 thru 25 KW. The heating section shall have a primary limit control(s) (automatic reset) to prevent the heating element system from operating at an excessive temperature. The Heating Section assembly shall slide out of the unit for easy maintenance and service. Units with Electric Heating Sections shall be wired for a single point power supply with branch circuit fusing (where required).

Physical Data

BHZ024-060 Physical Data

Component	Models					
	BHZ024	BHZ030	BHZ036	BHZ042	BHZ048	BHZ060
Nominal Tonnage	2.0	2.5	3.0	3.5	4.0	5.0
ARI COOLING PERFORMANCE						
Gross Capacity @ ARI A point (Mbh)	22.9	29.7	36.0	41.3	47.2	57.5
ARI net capacity (Mbh)	22.8	29.2	33.6	40.5	45.5	56.0
EER	11.4	11.25	11.0	11.25	10.65	11.0
SEER	13	13	13	13	13	13
Nominal CFM	800	950	1100	1400	1450	1550
System power (KW)	2.0	2.6	3.1	3.6	4.1	5.10
Refrigerant type	R410A	R410A	R410A	R410A	R410A	R410A
Refrigerant charge (lb-oz)	6-0	7-4	9-6	12-0	10-10	11-8
ARI HEATING PERFORMANCE						
47°F Capacity Rating (Mbh)	22.2	27.8	32.8	40.0	45.5	56.0
System Power (Kw/COP)	3.4	3.3	3.0	3.0	3.0	2.90
17°F Capacity Rating (Mbh)	11.5	14.6	19.2	23.2	27.4	33.0
System Power (Kw/COP)	2.0	2.0	2.3	2.3	2.2	2.0
HSPF (BTU/Watts-hr.)	7.7	7.7	7.7	7.7	7.7	7.7
DIMENSIONS (inches)						
Length	49 1/8	49 1/8	49 1/8	49 1/8	49 1/8	49 1/8
Width	47 1/4	47 1/4	47 1/4	47 1/4	47 1/4	47 1/4
Height	33 1/2	33 1/2	33 1/2	41 1/2	41 1/2	41 1/2
OPERATING WT. (lbs.)	350	350	385	435	480	490
COMPRESSORS						
Type	Scroll 1-spd	Scroll 1-spd	Scroll 1-spd	Scroll 1-spd	Scroll 1-spd	Scroll 1-spd
Quantity	1	1	1	1	1	1
CONDENSER COIL DATA						
Face area (Sq. Ft.)	12.9	12.9	12.9	16.4	16.4	16.4
Rows	1	1	2	2	2	2
Fins per inch	20	20	20	20	20	20
Tube diameter (in.)	3/8	3/8	3/8	3/8	3/8	3/8
Refrigerant control	Orifice	Orifice	Orifice	Orifice	Orifice	TXV
EVAPORATOR COIL DATA						
Face area (Sq. Ft.)	4.38	4.38	4.38	5.63	5.63	5.63
Rows	2	3	3	3	3	3
Fins per inch	15	13	15	15	16	16
Tube diameter	3/8	3/8	3/8	3/8	3/8	3/8
Refrigerant control	Orifice	Orifice	Orifice	Orifice	Orifice	TXV
CONDENSER FAN DATA						
Quantity of fans	1	1	1	1	1	1
Fan diameter (Inch)	22	22	22	22	22	22
Type	Prop	Prop	Prop	Prop	Prop	Prop
Drive type	Direct	Direct	Direct	Direct	Direct	Direct
Quantity of motors	1	1	1	1	1	1
Motor HP each	1/3	1/3	1/3	1/3	1/3	1/2
No. speeds	1	1	1	1	1	1
RPM	1100	1100	1100	1100	1100	1100
Nominal total CFM	2000	2400	2400	3200	3200	3400
DIRECT DRIVE EVAP FAN DATA						
Quantity	1	1	1	1	1	1
Fan Size (Inch)	10 x 8	10 x 8	11 x 10	11 x 10	11 x 10	11 x 10
Type	Centrifugal	Centrifugal	Centrifugal	Centrifugal	Centrifugal	Centrifugal
No. speeds	5	5	5	5	5	5
Motor HP each	1/2	1/2	3/4	3/4	3/4	1
RPM	Variable	Variable	Variable	Variable	Variable	Variable
Frame size	48	48	48	48	48	48
FILTERS						
Quantity - Size	2 - 22 x 14 x 1	2 - 22 x 14 x 1	2 - 22 x 14 x 1	2 - 22 x 14 x 1	2 - 22 x 14 x 1	2 - 22 x 14 x 1

BHZ, BHQ and BHX Unit Limitations

Size (Tons)	Model	Unit Voltage	Unit Limitations		
			Applied Voltage		Outdoor DB Temp
			Min	Max	Max (°F)
024 (2.0)	BHZ	208/230-1-60	187	252	125
	BHX, BHQ	208/230-1-60	187	252	115
030 (2.5)	BHZ BHQ	208/230-1-60	187	252	125
		208/230-3-60	187	252	125
		460-3-60	432	504	125
036 (3.0)	BHZ	208/230-1-60	187	252	125
		208/230-3-60	187	252	125
		460-3-60	432	504	125
	BHX BHQ	208/230-1-60	187	252	115
		208/230-3-60	187	252	115
		460-3-60	432	504	115
042 (3.5)	BHZ BHQ	208/230-1-60	187	252	125
		208/230-3-60	187	252	125
		460-3-60	432	504	125
048 (4.0)	BHZ	208/230-1-60	187	252	125
		208/230-3-60	187	252	125
		460-3-60	432	504	125
	BHX BHQ	208/230-1-60	187	252	115
		208/230-3-60	187	252	115
		460-3-60	432	504	115
060 (5.0)	BHZ	208/230-1-60	187	252	125
		208/230-3-60	187	252	125
		460-3-60	432	504	125
	BHX BHQ	208/230-1-60	187	252	115
		208/230-3-60	187	252	115
		460-3-60	432	504	115

Capacity Performance

BHZ024-060 Cooling Capacities

BHZ024 (2.0 Ton)

Air on Evaporator Coil		Temperature of Air on Condenser Coil															
CFM	WB (°F)	Net Capacity ¹ (MBh)	Total Input (kW) ²	Sensible Capacity (MBh)						Net Capacity ¹ (MBh)	Total Input (kW) ²	Sensible Capacity (MBh)					
				Return Dry Bulb (°F)								Return Dry Bulb (°F)					
				90	85	80	75	70	65			90	85	80	75	70	65
				75°F						85°F							
600	77	30.6	1.5	17.9	15.0	12.2	-	-	-	26.8	1.7	14.7	11.8	9.0	-	-	-
	72	28.4	1.5	19.8	16.9	14.1	11.2	-	-	25.5	1.7	18.2	15.3	12.5	9.6	-	-
	67	26.2	1.5	21.7	18.9	16.0	13.2	10.3	-	24.1	1.7	21.6	18.8	15.9	13.1	10.2	-
	62	24.3	1.5	24.3	24.0	20.1	17.3	14.4	11.6	22.4	1.6	22.4	22.2	19.4	16.5	13.7	10.8
	57	23.4	1.5	23.4	23.4	22.4	19.6	16.7	13.9	22.1	1.6	22.1	22.1	20.6	17.8	14.9	12.1
700	77	30.6	1.6	19.5	16.3	12.9	-	-	-	27.0	1.7	16.8	12.9	9.5	-	-	-
	72	28.4	1.6	21.7	18.4	15.0	11.6	-	-	25.6	1.7	19.9	16.5	13.2	9.8	-	-
	67	26.1	1.5	23.9	20.5	17.1	13.7	10.4	-	24.3	1.7	23.1	20.2	16.8	13.5	10.1	-
	62	24.3	1.5	24.3	24.1	21.4	18.1	14.7	11.3	22.5	1.7	22.5	22.5	20.5	17.1	13.7	10.3
	57	23.4	1.6	23.4	23.4	23.9	20.5	17.1	13.7	22.3	1.7	22.3	22.3	21.8	18.4	15.0	11.7
800	77	30.6	1.6	21.2	17.5	13.6	-	-	-	27.2	1.8	18.8	13.9	10.0	-	-	-
	72	28.4	1.6	23.7	19.8	15.9	12.0	-	-	25.8	1.8	21.6	17.7	13.9	10.0	-	-
	67	26.1	1.6	26.1	22.0	18.1	14.3	10.4	-	24.5	1.8	24.5	21.6	17.7	13.8	9.9	-
	62	24.2	1.6	24.2	24.2	22.7	18.8	15.0	11.1	22.7	1.8	22.7	22.7	21.5	17.6	13.8	9.9
	57	23.4	1.6	23.4	23.4	25.3	21.4	17.5	13.6	22.4	1.8	22.4	22.4	22.9	19.0	15.1	11.2
900	72	28.3	1.6	25.1	20.7	16.3	11.9	-	-	26.0	1.9	23.2	18.7	14.3	9.9	-	-
	67	26.1	1.6	26.1	23.1	18.6	14.1	9.7	-	24.6	1.9	24.6	22.7	18.3	13.9	9.4	-
	62	24.2	1.6	24.2	24.2	23.4	19.0	14.5	10.1	22.9	1.8	22.9	22.9	22.2	17.8	13.4	9.0
	57	23.3	1.7	23.3	23.3	24.3	19.9	15.4	11.0	22.6	1.8	22.6	22.6	22.8	18.4	14.0	9.5
	1000	72	28.3	1.7	26.6	21.6	16.7	11.7	-	-	26.2	1.9	24.7	19.7	14.8	9.8	-
67		26.1	1.7	26.1	24.1	19.0	14.0	9.0	-	24.8	1.9	24.8	23.8	18.9	13.9	8.9	-
62		24.2	1.7	24.2	24.2	24.0	19.1	14.1	9.1	23.0	1.9	23.0	23.0	22.9	18.0	13.0	8.0
57		23.3	1.7	23.3	23.3	23.3	18.3	13.4	8.4	22.7	1.9	22.7	22.7	22.7	17.8	12.8	7.8
				95°F						105°F							
600	77	23.0	1.8	11.5	8.7	5.8	-	-	-	22.8	2.1	11.8	9.0	6.1	-	-	-
	72	22.5	1.8	16.5	13.7	10.8	8.0	-	-	21.6	2.1	16.3	13.4	10.6	7.7	-	-
	67	22.1	1.8	21.6	18.7	15.9	13.0	10.2	-	20.4	2.1	20.1	17.9	15.0	12.2	9.3	-
	62	20.5	1.8	20.5	20.5	18.7	15.8	12.9	10.1	19.0	2.0	19.0	19.0	17.3	14.5	11.6	8.8
	57	20.8	1.8	20.8	20.8	18.8	16.0	13.1	10.3	19.4	2.0	19.4	19.4	17.2	14.3	11.5	8.6
700	77	23.3	1.9	14.0	9.5	6.1	-	-	-	23.0	2.2	14.9	10.0	6.4	-	-	-
	72	22.9	1.9	18.1	14.7	11.3	8.0	-	-	21.8	2.2	17.8	14.4	11.1	7.7	-	-
	67	22.4	1.9	22.2	19.9	16.6	13.2	9.8	-	20.5	2.1	20.4	18.9	15.7	12.4	9.0	-
	62	20.8	1.9	20.8	20.8	19.5	16.1	12.8	9.4	19.1	2.1	19.1	19.1	18.2	14.8	11.4	8.1
	57	21.1	1.8	21.1	21.1	19.7	16.3	12.9	9.6	19.6	2.1	19.6	19.6	18.0	14.6	11.3	7.9
800	77	23.7	2.0	16.4	10.2	6.4	-	-	-	23.2	2.3	18.0	11.0	6.7	-	-	-
	72	23.3	2.0	19.6	15.7	11.8	7.9	-	-	21.9	2.3	19.3	15.5	11.6	7.7	-	-
	67	22.8	2.0	22.8	21.2	17.3	13.4	9.5	-	20.7	2.2	20.7	19.9	16.4	12.6	8.7	-
	62	21.1	2.0	21.1	21.1	20.3	16.4	12.6	8.7	19.3	2.2	19.3	19.3	19.0	15.1	11.2	7.3
	57	21.5	1.9	21.5	21.5	20.5	16.6	12.7	8.8	19.7	2.2	19.7	19.7	18.8	15.0	11.1	7.2
900	72	23.6	2.1	21.2	16.8	12.3	7.9	-	-	22.2	2.3	20.6	16.5	12.0	7.6	-	-
	67	23.2	2.1	23.2	22.4	18.0	13.6	9.2	-	21.0	2.3	21.0	20.5	17.1	12.7	8.3	-
	62	21.5	2.1	21.5	21.5	21.1	16.6	12.2	7.8	19.5	2.3	19.5	19.5	19.4	14.9	10.5	6.1
	57	21.8	2.0	21.8	21.8	21.3	16.9	12.5	8.0	20.0	2.3	20.0	20.0	19.5	15.1	10.7	6.2
	1000	72	24.0	2.2	22.8	17.8	12.8	7.9	-	-	22.4	2.4	21.8	17.5	12.5	7.5	-
67		23.5	2.1	23.5	23.5	18.8	13.8	8.8	-	21.2	2.4	21.2	21.2	17.8	12.8	7.8	-
62		21.8	2.1	21.8	21.8	21.8	16.9	11.9	6.9	19.7	2.4	19.7	19.7	19.7	14.8	9.8	4.8
57		22.2	2.1	22.2	22.2	22.2	17.2	12.2	7.2	20.2	2.4	20.2	20.2	20.2	15.2	10.3	5.3

BHZ024 (2.0 Ton) (Continued)

Air on Evaporator Coil		Temperature of Air on Condenser Coil															
		Net Capacity ¹ (MBh)	Total Input (kW) ²	Sensible Capacity (MBh)						Net Capacity ¹ (MBh)	Total Input (kW) ²	Sensible Capacity (MBh)					
				Return Dry Bulb (°F)								Return Dry Bulb (°F)					
				90	85	80	75	70	65			90	85	80	75	70	65
115°F										125°F							
600	77	22.6	2.3	12.1	9.2	6.4	-	-	-	22.5	2.6	12.4	9.5	6.7	-	-	-
	72	20.6	2.3	16.0	13.1	10.3	7.4	-	-	19.7	2.5	15.7	12.8	10.0	7.1	-	-
	67	18.6	2.3	18.6	17.0	14.1	11.3	8.4	-	16.9	2.5	16.9	16.1	13.3	10.4	7.6	-
	62	17.5	2.3	17.5	17.5	16.0	13.2	10.3	7.5	15.9	2.5	15.9	15.9	14.7	11.8	9.0	6.1
57	18.0	2.3	18.0	18.0	15.6	12.7	9.9	7.0	16.7	2.5	16.7	16.7	13.9	11.1	8.2	5.4	
700	77	22.6	2.4	15.8	10.5	6.7	-	-	-	22.3	2.7	16.8	11.1	7.0	-	-	-
	72	20.6	2.4	17.5	14.2	10.8	7.4	-	-	19.5	2.7	17.3	13.9	10.5	7.2	-	-
	67	18.6	2.4	18.6	17.8	14.9	11.5	8.1	-	16.7	2.6	16.7	16.7	14.0	10.7	7.3	-
	62	17.4	2.4	17.4	17.4	16.8	13.5	10.1	6.7	15.8	2.6	15.8	15.8	15.5	12.1	8.8	5.4
57	18.0	2.4	18.0	18.0	16.4	13.0	9.6	6.3	16.5	2.6	16.5	16.5	14.7	11.4	8.0	4.6	
800	77	22.6	2.5	19.6	11.8	7.0	-	-	-	22.0	2.8	21.2	12.6	7.4	-	-	-
	72	20.6	2.5	19.1	15.2	11.3	7.4	-	-	19.3	2.8	18.9	15.0	11.1	7.2	-	-
	67	18.6	2.5	18.6	18.6	15.6	11.7	7.8	-	16.5	2.7	16.5	16.5	14.8	10.9	7.0	-
	62	17.4	2.5	17.4	17.4	17.7	13.8	9.9	6.0	15.6	2.7	15.6	15.6	15.6	12.4	8.6	4.7
57	18.0	2.5	18.0	18.0	17.2	13.3	9.4	5.5	16.3	2.8	16.3	16.3	15.5	11.6	7.7	3.8	
900	72	20.7	2.6	20.0	16.2	11.8	7.3	-	-	19.3	2.9	19.3	15.9	11.5	7.0	-	-
	67	18.7	2.6	18.7	18.7	16.2	11.8	7.3	-	16.5	2.8	16.5	16.5	15.3	10.8	6.4	-
	62	17.5	2.6	17.5	17.5	17.7	13.2	8.8	4.4	15.6	2.8	15.6	15.6	15.6	11.5	7.1	2.7
	57	18.1	2.6	18.1	18.1	17.7	13.3	8.9	4.4	16.3	2.8	16.3	16.3	15.9	11.5	7.0	2.6
1000	72	20.9	2.7	20.9	17.1	12.2	7.2	-	-	19.3	2.9	19.3	16.8	11.8	6.9	-	-
	67	18.9	2.7	18.9	18.9	16.8	11.8	6.8	-	16.5	2.9	16.5	16.5	15.8	10.8	5.8	-
	62	17.7	2.6	17.7	17.7	17.7	12.7	7.7	2.8	15.6	2.9	15.6	15.6	15.6	10.6	5.6	0.7
	57	18.2	2.6	18.2	18.2	18.2	13.3	8.3	3.3	16.3	2.9	16.3	16.3	16.3	11.3	6.4	1.4

1. These capacities are Net Capacities.
2. These ratings include the compressor, condenser fan and supply air blower motors.

BHZ030 (2.5 Ton)

Air on Evaporator Coil		Temperature of Air on Condenser Coil															
CFM	WB (°F)	Net Capacity ¹ (MBh)	Total Input (kW) ²	Sensible Capacity (MBh)						Net Capacity ¹ (MBh)	Total Input (kW) ²	Sensible Capacity (MBh)					
				Return Dry Bulb (°F)								Return Dry Bulb (°F)					
				90	85	80	75	70	65			90	85	80	75	70	65
				75°F						85°F							
750	77	36.3	2.1	19.3	15.7	12.2	-	-	-	36.0	2.3	17.9	14.3	10.7	-	-	-
	72	34.1	2.0	22.6	19.1	15.5	11.9	-	-	33.3	2.3	21.8	18.2	14.6	11.1	-	-
	67	31.8	1.9	26.0	22.4	18.9	15.3	11.7	-	30.6	2.2	25.6	22.1	18.5	15.0	11.4	-
	62	30.1	1.8	30.1	28.1	24.6	21.0	17.4	13.9	27.8	2.2	27.8	26.4	22.8	19.3	15.7	12.1
	57	28.2	1.8	28.2	27.9	24.3	20.8	17.2	13.6	27.3	2.2	27.3	26.7	23.1	19.6	16.0	12.4
875	77	37.6	2.3	21.4	17.7	13.5	-	-	-	36.6	2.4	20.5	16.0	11.8	-	-	-
	72	35.2	2.2	25.7	21.5	17.2	13.0	-	-	33.8	2.4	24.5	20.3	16.1	11.9	-	-
	67	32.8	2.1	29.9	25.2	21.0	16.8	12.6	-	31.1	2.4	28.6	24.6	20.4	16.2	12.0	-
	62	31.0	1.9	31.0	30.0	27.3	23.1	18.9	14.7	28.2	2.3	28.2	27.5	25.2	21.0	16.7	12.5
	57	29.2	2.0	29.2	29.0	27.1	22.8	18.6	14.4	27.7	2.3	27.7	27.4	25.5	21.3	17.1	12.9
1000	77	38.8	2.5	23.5	19.7	14.8	-	-	-	37.1	2.6	23.1	17.8	12.9	-	-	-
	72	36.3	2.4	28.7	23.8	19.0	14.1	-	-	34.3	2.5	27.3	22.5	17.6	12.8	-	-
	67	33.9	2.3	33.9	28.0	23.1	18.2	13.4	-	31.5	2.5	31.5	27.2	22.3	17.5	12.6	-
	62	32.0	2.1	32.0	32.0	30.0	25.2	20.3	15.4	28.6	2.4	28.6	28.6	27.5	22.6	17.8	12.9
	57	30.1	2.2	30.1	30.1	29.8	24.9	20.1	15.2	28.2	2.4	28.2	28.2	27.9	23.0	18.1	13.3
1125	72	36.7	2.5	31.3	25.8	20.3	14.7	-	-	34.3	2.6	29.9	24.4	18.9	13.3	-	-
	67	34.2	2.4	34.2	31.3	24.7	19.1	13.6	-	31.5	2.6	31.5	29.3	23.9	18.4	12.8	-
	62	32.3	2.2	32.3	32.3	31.3	25.8	20.2	14.7	28.6	2.5	28.6	28.6	28.0	22.5	17.0	11.4
	57	30.4	2.3	30.4	30.4	30.3	24.7	19.2	13.7	28.1	2.5	28.1	28.1	28.0	22.4	16.9	11.4
	72	37.1	2.6	34.0	27.8	21.5	15.3	-	-	34.3	2.8	32.5	26.3	20.1	13.9	-	-
1250	67	34.6	2.6	34.6	34.6	26.2	20.0	13.8	-	31.5	2.7	31.5	31.5	25.5	19.3	13.1	-
	62	32.6	2.3	32.6	32.6	32.6	26.4	20.2	13.9	28.6	2.6	28.6	28.6	28.6	22.4	16.1	9.9
	57	30.7	2.4	30.7	30.7	30.7	24.5	18.3	12.1	28.1	2.6	28.1	28.1	28.1	21.9	15.7	9.5
					95°F						105°F						
	750	77	35.7	2.6	16.4	12.9	9.3	-	-	-	32.5	2.8	15.1	11.5	8.0	-	-
72		32.6	2.6	20.9	17.3	13.7	10.2	-	-	29.5	2.8	19.7	16.2	12.6	9.1	-	-
67		29.4	2.5	25.3	21.7	18.2	14.6	11.1	-	26.5	2.9	24.4	20.8	17.3	13.7	10.1	-
62		25.5	2.6	25.5	24.7	21.1	17.5	14.0	10.4	23.8	2.9	23.8	23.2	19.6	16.1	12.5	8.9
57		26.4	2.6	26.4	25.5	21.9	18.4	14.8	11.2	23.3	2.9	23.3	22.8	19.3	15.7	12.1	8.6
875	77	35.6	2.6	19.6	14.4	10.1	-	-	-	32.4	2.9	19.1	13.2	8.8	-	-	-
	72	32.4	2.6	23.4	19.2	15.0	10.8	-	-	29.5	2.9	22.3	18.1	13.9	9.6	-	-
	67	29.3	2.6	27.3	24.1	19.9	15.6	11.4	-	26.5	2.9	25.4	22.9	19.0	14.8	10.5	-
	62	25.4	2.6	25.4	25.0	23.0	18.8	14.6	10.4	23.8	2.9	23.8	23.5	21.6	17.3	13.1	8.9
	57	26.3	2.6	26.3	25.8	23.9	19.7	15.5	11.3	23.3	2.9	23.3	23.0	21.2	16.9	12.7	8.5
1000	77	35.4	2.6	22.8	15.9	11.0	-	-	-	32.4	2.9	23.2	14.9	9.5	-	-	-
	72	32.3	2.6	26.0	21.1	16.3	11.4	-	-	29.4	2.9	24.8	20.0	15.1	10.2	-	-
	67	29.2	2.6	29.2	26.4	21.5	16.7	11.8	-	26.5	2.9	26.5	25.1	20.7	15.8	10.9	-
	62	25.3	2.6	25.3	25.3	25.0	20.1	15.3	10.4	23.8	2.9	23.8	23.8	23.5	18.6	13.8	8.9
	57	26.2	2.6	26.2	26.2	26.0	21.1	16.2	11.4	23.3	2.9	23.3	23.3	23.0	18.2	13.3	8.5
1125	72	31.9	2.7	28.5	23.0	17.5	11.9	-	-	30.2	3.0	27.5	22.0	16.5	10.9	-	-
	67	28.8	2.7	28.8	27.4	23.1	17.6	12.1	-	27.2	3.1	27.2	26.5	22.5	17.0	11.5	-
	62	24.9	2.8	24.9	24.9	24.8	19.2	13.7	8.2	24.4	3.0	24.4	24.4	24.3	18.8	13.2	7.7
	57	25.8	2.8	25.8	25.8	25.7	20.2	14.6	9.1	23.9	3.0	23.9	23.9	23.7	18.2	12.7	7.1
	72	31.4	2.9	31.1	24.9	18.7	12.5	-	-	31.0	3.1	30.2	24.0	17.8	11.6	-	-
1250	67	28.4	2.9	28.4	28.4	24.7	18.5	12.3	-	27.9	3.2	27.9	27.9	24.4	18.2	12.0	-
	62	24.6	2.9	24.6	24.6	24.6	18.3	12.1	5.9	25.1	3.2	25.1	25.1	25.1	18.9	12.7	6.5
	57	25.5	2.9	25.5	25.5	25.5	19.2	13.0	6.8	24.4	3.2	24.4	24.4	24.4	18.2	12.0	5.8

BHZ030 (2.5 Ton) (Continued)

Air on Evaporator Coil		Temperature of Air on Condenser Coil															
CFM	WB (°F)	Net Capacity ¹ (MBh)	Total Input (kW) ²	Sensible Capacity (MBh)						Net Capacity ¹ (MBh)	Total Input (kW) ²	Sensible Capacity (MBh)					
				Return Dry Bulb (°F)								Return Dry Bulb (°F)					
				90	85	80	75	70	65			90	85	80	75	70	65
				115°F						125°F							
750	77	29.2	3.1	13.8	10.2	6.7	-	-	-	26.0	3.3	12.5	8.9	5.3	-	-	-
	72	26.4	3.1	18.6	15.1	11.5	7.9	-	-	23.4	3.4	17.5	13.9	10.4	6.8	-	-
	67	23.7	3.2	23.5	19.9	16.3	12.8	9.2	-	20.8	3.5	20.8	19.0	15.4	11.8	8.3	-
	62	22.1	3.1	22.1	21.7	18.1	14.6	11.0	7.4	20.5	3.4	20.5	20.2	16.6	13.1	9.5	5.9
	57	20.2	3.1	20.2	20.2	16.6	13.0	9.5	5.9	17.2	3.4	17.2	17.2	13.9	10.4	6.8	3.2
875	77	29.3	3.1	18.7	12.0	7.4	-	-	-	26.2	3.4	18.2	10.9	6.0	-	-	-
	72	26.5	3.2	21.1	16.9	12.7	8.5	-	-	23.5	3.5	20.0	15.8	11.6	7.4	-	-
	67	23.7	3.3	23.6	21.8	18.1	13.9	9.6	-	20.9	3.6	20.9	20.7	17.2	13.0	8.8	-
	62	22.2	3.2	22.2	22.0	20.1	15.8	11.6	7.4	20.6	3.5	20.6	20.5	18.6	14.3	10.1	5.9
	57	20.3	3.2	20.3	20.2	18.4	14.2	9.9	5.7	17.3	3.5	17.3	17.3	15.6	11.4	7.2	2.9
1000	77	29.3	3.2	23.6	13.8	8.1	-	-	-	26.3	3.4	24.0	12.8	6.6	-	-	-
	72	26.5	3.2	23.7	18.8	13.9	9.1	-	-	23.7	3.6	22.5	17.6	12.8	7.9	-	-
	67	23.8	3.3	23.8	23.8	19.8	15.0	10.1	-	21.0	3.7	21.0	21.0	19.0	14.1	9.2	-
	62	22.2	3.2	22.2	22.2	22.0	17.1	12.3	7.4	20.7	3.5	20.7	20.7	20.5	15.6	10.8	5.9
	57	20.3	3.3	20.3	20.3	20.1	15.3	10.4	5.6	17.4	3.6	17.4	17.4	17.2	12.4	7.5	2.6
1125	72	28.6	3.3	26.5	21.0	15.4	9.9	-	-	26.9	3.6	25.5	20.0	14.4	8.9	-	-
	67	25.6	3.4	25.6	25.6	21.9	16.4	10.9	-	24.0	3.7	24.0	24.0	21.3	15.8	10.3	-
	62	23.9	3.3	23.9	23.9	23.8	18.3	12.7	7.2	23.5	3.6	23.5	23.5	23.3	17.8	12.3	6.7
	57	21.9	3.3	21.9	21.9	21.8	16.2	10.7	5.2	19.9	3.6	19.9	19.9	19.8	14.3	8.8	3.2
1250	72	30.6	3.4	29.4	23.1	16.9	10.7	-	-	30.2	3.6	28.5	22.3	16.1	9.8	-	-
	67	27.4	3.5	27.4	27.4	24.1	17.9	11.6	-	26.9	3.8	26.9	26.9	23.7	17.5	11.3	-
	62	25.6	3.4	25.6	25.6	25.6	19.4	13.2	7.0	26.2	3.6	26.2	26.2	26.2	20.0	13.8	7.6
	57	23.4	3.4	23.4	23.4	23.4	17.2	11.0	4.8	22.4	3.7	22.4	22.4	22.4	16.2	10.0	3.8

1. These capacities are Net Capacities.
2. These ratings include the compressor, condenser fan and supply air blower motors.

BHZ036 (3.0 Ton)

Air on Evaporator Coil		Temperature of Air on Condenser Coil																		
CFM	WB (°F)	Net Capacity ¹ (MBh)	Total Input (kW) ²	Sensible Capacity (MBh)						Net Capacity ¹ (MBh)	Total Input (kW) ²	Sensible Capacity (MBh)								
				Return Dry Bulb (°F)								Return Dry Bulb (°F)								
				90	85	80	75	70	65			90	85	80	75	70	65			
				75°F								85°F								
900	77	39.2	2.6	19.4	15.1	10.8	-	-	-	39.6	2.7	20.6	16.3	12.0	-	-	-			
	72	38.5	2.4	27.0	22.7	18.4	14.2	-	-	37.6	2.6	27.1	22.8	18.5	14.2	-	-			
	67	37.7	2.2	34.6	30.3	26.1	21.8	17.5	-	35.5	2.6	33.6	29.3	25.0	20.7	16.5	-			
	62	34.8	2.2	34.8	34.8	32.3	28.0	23.7	19.5	33.2	2.5	33.2	33.2	30.9	26.6	22.3	18.1			
	57	34.5	2.3	34.5	34.5	32.4	28.1	23.9	19.6	32.9	2.6	32.9	32.9	30.8	26.6	22.3	18.0			
1050	77	40.4	2.6	22.9	16.8	11.8	-	-	-	40.3	2.8	24.8	17.9	12.9	-	-	-			
	72	39.6	2.5	30.1	25.0	20.0	14.9	-	-	38.2	2.7	30.0	24.9	19.9	14.8	-	-			
	67	38.8	2.3	37.2	33.3	28.2	23.2	18.1	-	36.1	2.6	35.1	31.9	26.9	21.8	16.7	-			
	62	35.8	2.3	35.8	35.8	35.0	29.9	24.8	19.8	33.8	2.6	33.8	33.8	33.2	28.1	23.0	18.0			
	57	35.5	2.3	35.5	35.5	35.1	30.0	25.0	19.9	33.5	2.6	33.5	33.5	33.1	28.1	23.0	17.9			
1200	77	41.6	2.7	26.5	18.5	12.7	-	-	-	40.9	2.9	29.1	19.6	13.8	-	-	-			
	72	40.7	2.5	33.2	27.3	21.5	15.7	-	-	38.8	2.8	32.9	27.1	21.2	15.4	-	-			
	67	39.8	2.4	39.8	36.2	30.4	24.5	18.7	-	36.7	2.7	36.7	34.5	28.7	22.9	17.0	-			
	62	36.8	2.4	36.8	36.8	37.6	31.8	26.0	20.1	34.3	2.7	34.3	34.3	35.4	29.6	23.8	17.9			
	57	36.5	2.4	36.5	36.5	37.7	31.9	26.1	20.3	34.1	2.7	34.1	34.1	35.4	29.5	23.7	17.9			
1350	72	41.2	2.6	36.3	29.4	22.8	16.1	-	-	39.5	2.9	35.9	29.3	22.7	16.0	-	-			
	67	40.3	2.4	40.3	38.5	32.1	25.5	18.9	-	37.3	2.8	37.3	36.2	30.6	24.0	17.3	-			
	62	37.3	2.4	37.3	37.3	37.7	31.0	24.4	17.7	34.9	2.7	34.9	34.9	35.4	28.8	22.1	15.5			
	57	36.9	2.5	36.9	36.9	37.5	30.9	24.3	17.6	34.6	2.8	34.6	34.6	35.3	28.6	22.0	15.3			
	72	41.7	2.7	39.5	31.5	24.0	16.6	-	-	40.1	3.0	39.0	31.5	24.1	16.6	-	-			
1500	67	40.8	2.5	40.8	40.8	33.9	26.5	19.0	-	37.9	2.9	37.9	37.9	32.5	25.1	17.6	-			
	62	37.7	2.5	37.7	37.7	37.7	30.3	22.8	15.4	35.4	2.8	35.4	35.4	35.4	28.0	20.5	13.1			
	57	37.3	2.5	37.3	37.3	37.3	29.9	22.4	15.0	35.2	2.9	35.2	35.2	35.2	27.7	20.2	12.8			
					95°F								105°F							
	900	77	40.0	2.9	21.7	17.5	13.2	-	-	-	37.1	3.4	20.1	15.8	11.6	-	-	-		
72		36.7	2.9	27.1	22.8	18.6	14.3	-	-	33.6	3.4	25.5	21.3	17.0	12.7	-	-			
67		33.4	2.9	32.5	28.2	24.0	19.7	15.4	-	30.1	3.3	29.6	26.7	22.4	18.2	13.9	-			
62		31.6	2.8	31.6	31.6	29.5	25.2	20.9	16.6	28.7	3.2	28.7	28.7	26.3	22.0	17.8	13.5			
57		31.4	2.8	31.4	31.4	29.3	25.0	20.7	16.4	28.6	3.3	28.6	28.6	26.2	22.0	17.7	13.4			
1050	77	40.2	3.0	26.7	19.1	14.0	-	-	-	37.4	3.5	26.1	18.3	12.4	-	-	-			
	72	36.8	3.0	29.9	24.8	19.8	14.7	-	-	33.8	3.4	28.4	23.4	18.3	13.2	-	-			
	67	33.5	3.0	33.1	30.6	25.5	20.4	15.4	-	30.3	3.4	30.1	28.4	24.2	19.1	14.1	-			
	62	31.7	2.9	31.7	31.7	31.3	26.3	21.2	16.2	28.9	3.3	28.9	28.9	28.3	23.3	18.2	13.2			
	57	31.5	2.9	31.5	31.5	31.1	26.1	21.0	16.0	28.8	3.3	28.8	28.8	28.3	23.2	18.1	13.1			
1200	77	40.3	3.1	31.6	20.7	14.9	-	-	-	37.6	3.6	32.0	20.7	13.3	-	-	-			
	72	37.0	3.1	32.6	26.8	20.9	15.1	-	-	34.1	3.5	31.3	25.4	19.6	13.8	-	-			
	67	33.6	3.1	33.6	32.9	27.0	21.2	15.4	-	30.5	3.4	30.5	30.1	25.9	20.1	14.2	-			
	62	31.9	3.0	31.9	31.9	33.2	27.4	21.6	15.7	29.1	3.4	29.1	29.1	30.3	24.5	18.7	12.8			
	57	31.6	3.0	31.6	31.6	33.0	27.2	21.3	15.5	29.0	3.4	29.0	29.0	30.3	24.4	18.6	12.8			
1350	72	37.7	3.2	35.6	29.2	22.5	15.9	-	-	34.5	3.6	33.1	27.2	20.6	13.9	-	-			
	67	34.3	3.2	34.3	33.9	29.1	22.4	15.8	-	30.9	3.5	30.9	30.7	27.1	20.5	13.9	-			
	62	32.5	3.1	32.5	32.5	33.2	26.6	19.9	13.3	29.5	3.5	29.5	29.5	30.1	23.5	16.8	10.2			
	57	32.3	3.1	32.3	32.3	33.0	26.3	19.7	13.1	29.4	3.5	29.4	29.4	30.0	23.4	16.7	10.1			
	72	38.5	3.3	38.5	31.6	24.1	16.7	-	-	35.0	3.7	35.0	29.0	21.5	14.1	-	-			
1500	67	35.0	3.3	35.0	35.0	31.1	23.7	16.2	-	31.3	3.6	31.3	31.3	28.4	20.9	13.5	-			
	62	33.2	3.2	33.2	33.2	33.2	25.7	18.3	10.8	29.9	3.6	29.9	29.9	29.9	22.4	15.0	7.5			
	57	33.0	3.2	33.0	33.0	33.0	25.5	18.1	10.6	29.8	3.6	29.8	29.8	29.8	22.3	14.9	7.4			

BHZ036 (3.0 Ton) (Continued)

Air on Evaporator Coil		Temperature of Air on Condenser Coil																																	
		Net Capacity ¹ (MBh)	Total Input (kW) ²	Sensible Capacity (MBh)						Net Capacity ¹ (MBh)	Total Input (kW) ²	Sensible Capacity (MBh)																							
				Return Dry Bulb (°F)								Return Dry Bulb (°F)																							
				90	85	80	75	70	65			90	85	80	75	70	65																		
115°F																		125°F																	
900	77	34.1	3.9	18.5	14.2	9.9	-	-	-	31.2	4.4	16.9	12.6	8.3	-	-	-																		
	72	30.5	3.8	24.0	19.7	15.4	11.1	-	-	27.3	4.3	22.4	18.1	13.8	9.6	-	-																		
	67	26.8	3.7	26.8	25.2	20.9	16.6	12.3	-	23.5	4.2	23.5	23.5	19.3	15.1	10.8	-																		
	62	25.7	3.7	25.7	25.7	23.1	18.9	14.6	10.3	22.7	4.1	22.7	22.7	20.0	15.7	11.4	7.2																		
57	25.8	3.7	25.8	25.8	23.2	18.9	14.7	10.4	22.9	4.1	22.9	22.9	20.2	15.9	11.6	7.4	-																		
1050	77	34.5	4.0	25.5	17.5	10.9	-	-	-	31.7	4.4	24.9	16.7	9.3	-	-	-																		
	72	30.8	3.9	27.0	21.9	16.8	11.8	-	-	27.8	4.3	25.5	20.4	15.4	10.3	-	-																		
	67	27.1	3.8	27.1	26.3	22.8	17.8	12.7	-	23.9	4.2	23.9	23.9	21.5	16.4	11.4	-																		
	62	26.0	3.7	26.0	26.0	25.3	20.2	15.2	10.1	23.1	4.2	23.1	23.1	22.3	17.2	12.2	7.1																		
57	26.1	3.7	26.1	26.1	25.4	20.3	15.3	10.2	23.3	4.2	23.3	23.3	22.5	17.4	12.4	7.3	-																		
1200	77	34.9	4.0	32.5	20.8	11.8	-	-	-	32.2	4.5	32.2	20.9	10.3	-	-	-																		
	72	31.2	3.9	29.9	24.1	18.3	12.4	-	-	28.3	4.3	28.3	22.8	16.9	11.1	-	-																		
	67	27.4	3.8	27.4	27.4	24.8	18.9	13.1	-	24.3	4.2	24.3	24.3	23.6	17.8	12.0	-																		
	62	26.3	3.8	26.3	26.3	27.4	21.6	15.8	9.9	23.5	4.2	23.5	23.5	23.5	18.7	12.9	7.0																		
57	26.4	3.8	26.4	26.4	27.5	21.7	15.9	10.0	23.7	4.2	23.7	23.7	23.7	18.9	13.1	7.3	-																		
1350	72	31.3	4.0	30.7	25.2	18.6	12.0	-	-	28.1	4.4	28.1	23.3	16.6	10.0	-	-																		
	67	27.5	3.9	27.5	27.5	25.2	18.6	11.9	-	24.1	4.3	24.1	24.1	23.3	16.6	10.0	-																		
	62	26.4	3.9	26.4	26.4	27.0	20.3	13.7	7.1	23.4	4.3	23.4	23.4	23.4	17.2	10.6	4.0																		
	57	26.5	3.9	26.5	26.5	27.1	20.4	13.8	7.1	23.6	4.3	23.6	23.6	23.6	17.5	10.8	4.2																		
1500	72	31.5	4.1	31.5	26.4	18.9	11.5	-	-	27.9	4.5	27.9	23.8	16.3	8.9	-	-																		
	67	27.7	4.0	27.7	27.7	25.6	18.2	10.7	-	24.0	4.4	24.0	24.0	22.9	15.4	8.0	-																		
	62	26.5	4.0	26.5	26.5	26.5	19.1	11.6	4.2	23.2	4.4	23.2	23.2	23.2	15.8	8.3	0.9																		
	57	26.6	4.0	26.6	26.6	26.6	19.2	11.7	4.3	23.4	4.4	23.4	23.4	23.4	16.0	8.5	1.1																		

1. These capacities are Net Capacities.
2. These ratings include the compressor, condenser fan and supply air blower motors.

BHZ042 (3.5 Ton)

Air on Evaporator Coil		Temperature of Air on Condenser Coil																		
CFM	WB (°F)	Net Capacity ¹ (MBh)	Total Input (kW) ²	Sensible Capacity (MBh)						Net Capacity ¹ (MBh)	Total Input (kW) ²	Sensible Capacity (MBh)								
				Return Dry Bulb (°F)								Return Dry Bulb (°F)								
				90	85	80	75	70	65			90	85	80	75	70	65			
				75°F								85°F								
1050	77	52.7	3.0	26.6	21.6	16.6	-	-	-	47.6	3.2	24.7	19.7	14.8	-	-	-			
	72	48.9	2.9	34.3	29.3	24.4	19.4	-	-	44.4	3.2	32.7	27.7	22.7	17.7	-	-			
	67	45.1	2.8	43.9	37.1	32.1	27.1	22.1	-	41.2	3.2	40.6	35.6	30.6	25.6	20.6	-			
	62	44.0	2.8	44.0	44.0	42.6	37.6	32.6	27.7	38.8	3.1	38.8	38.8	38.2	33.2	28.2	23.2			
	57	43.6	2.8	43.6	43.6	41.8	36.8	31.8	26.8	39.4	3.1	39.4	39.4	38.5	33.5	28.5	23.5			
1225	77	52.5	2.9	29.9	22.9	17.0	-	-	-	48.4	3.2	28.7	21.1	15.2	-	-	-			
	72	48.7	2.9	36.7	30.8	24.9	19.0	-	-	45.2	3.2	35.1	29.3	23.4	17.5	-	-			
	67	44.9	2.8	44.3	38.7	32.8	26.9	21.0	-	41.9	3.2	41.6	37.4	31.5	25.6	19.7	-			
	62	43.9	2.8	43.9	43.9	42.3	36.4	30.5	24.6	39.5	3.1	39.5	39.5	39.3	33.4	27.5	21.6			
	57	43.5	2.8	43.5	43.5	42.6	36.7	30.8	24.9	40.1	3.1	40.1	40.1	39.6	33.7	27.9	22.0			
1400	77	52.3	2.9	33.2	24.1	17.3	-	-	-	49.3	3.2	32.6	22.4	15.6	-	-	-			
	72	48.5	2.9	39.0	32.2	25.4	18.6	-	-	45.9	3.2	37.6	30.8	24.0	17.2	-	-			
	67	44.7	2.8	44.7	40.2	33.4	26.6	19.8	-	42.6	3.2	42.6	39.2	32.4	25.6	18.8	-			
	62	43.8	2.8	43.8	43.8	41.9	35.1	28.3	21.5	40.2	3.1	40.2	40.2	40.4	33.6	26.8	20.0			
	57	43.3	2.8	43.3	43.3	43.5	36.7	29.9	23.1	40.8	3.1	40.8	40.8	40.8	34.0	27.2	20.4			
1575	72	48.4	3.1	41.4	33.7	25.9	18.2	-	-	46.7	3.4	40.2	32.5	24.7	17.0	-	-			
	67	44.5	3.0	44.5	41.9	34.1	26.4	18.6	-	43.3	3.3	43.3	41.1	33.3	25.6	17.8	-			
	62	43.7	3.0	43.7	43.7	42.7	35.0	27.3	19.5	40.9	3.3	40.9	40.9	41.0	33.2	25.5	17.7			
	57	43.2	3.0	43.2	43.2	43.5	35.8	28.1	20.3	41.5	3.3	41.5	41.5	41.5	33.7	26.0	18.2			
	72	48.2	3.3	43.9	35.2	26.5	17.8	-	-	47.5	3.5	42.8	34.1	25.4	16.7	-	-			
1750	67	44.4	3.3	44.4	43.6	34.9	26.2	17.5	-	44.1	3.5	44.1	43.0	34.3	25.6	16.9	-			
	62	43.6	3.2	43.6	43.6	43.6	34.9	26.2	17.5	41.6	3.4	41.6	41.6	41.6	32.9	24.2	15.5			
	57	43.1	3.2	43.1	43.1	43.6	34.9	26.2	17.5	42.2	3.4	42.2	42.2	42.2	33.5	24.8	16.1			
					95°F								105°F							
	1050	77	42.5	3.5	22.9	17.9	12.9	-	-	-	39.6	3.8	22.3	17.3	12.3	-	-	-		
72		39.9	3.5	31.0	26.0	21.0	16.0	-	-	36.3	3.7	29.9	24.9	19.9	14.9	-	-			
67		37.3	3.5	37.3	34.1	29.1	24.1	19.2	-	33.0	3.7	33.0	31.4	27.4	22.4	17.4	-			
62		33.7	3.4	33.7	33.7	33.7	28.7	23.7	18.8	30.6	3.6	30.6	30.6	30.6	25.6	20.6	15.6			
57		35.2	3.4	35.2	35.2	35.2	30.2	25.3	20.3	31.9	3.7	31.9	31.9	31.9	26.9	21.9	16.9			
1225	77	44.4	3.5	27.5	19.3	13.4	-	-	-	41.2	3.9	28.3	19.6	12.8	-	-	-			
	72	41.6	3.5	33.6	27.7	21.8	16.0	-	-	37.7	3.9	32.4	26.5	20.6	14.7	-	-			
	67	38.9	3.5	38.9	36.2	30.3	24.4	18.5	-	34.3	3.8	34.3	32.9	28.5	22.6	16.7	-			
	62	35.2	3.4	35.2	35.2	36.3	30.4	24.5	18.6	31.8	3.8	31.8	31.8	32.8	26.9	21.0	15.1			
	57	36.8	3.4	36.8	36.8	36.6	30.8	24.9	19.0	33.2	3.8	33.2	33.2	33.3	27.4	21.5	15.6			
1400	77	46.2	3.5	32.1	20.7	13.9	-	-	-	42.7	4.0	34.3	21.9	13.3	-	-	-			
	72	43.4	3.5	36.3	29.5	22.7	15.9	-	-	39.2	4.0	35.0	28.2	21.4	14.6	-	-			
	67	40.5	3.6	40.5	38.2	31.4	24.6	17.8	-	35.6	3.9	35.6	34.5	29.5	22.7	15.9	-			
	62	36.6	3.5	36.6	36.6	38.9	32.1	25.3	18.5	33.0	3.9	33.0	33.0	35.0	28.2	21.4	14.6			
	57	38.3	3.5	38.3	38.3	38.1	31.3	24.5	17.6	34.4	3.9	34.4	34.4	34.7	27.9	21.1	14.2			
1575	72	45.1	3.6	39.0	31.2	23.5	15.7	-	-	40.6	4.0	37.2	29.9	22.1	14.4	-	-			
	67	42.1	3.6	42.1	40.3	32.5	24.8	17.0	-	37.0	4.0	37.0	36.0	30.5	22.8	15.0	-			
	62	38.1	3.5	38.1	38.1	39.2	31.5	23.7	16.0	34.3	3.9	34.3	34.3	35.3	27.5	19.8	12.0			
	57	39.8	3.5	39.8	39.8	39.4	31.7	23.9	16.2	35.7	3.9	35.7	35.7	35.7	27.9	20.2	12.4			
	72	46.8	3.7	41.7	33.0	24.3	15.6	-	-	42.1	4.0	39.5	31.6	22.9	14.2	-	-			
1750	67	43.7	3.7	43.7	42.4	33.7	25.0	16.3	-	38.3	4.0	38.3	37.6	31.5	22.8	14.1	-			
	62	39.6	3.6	39.6	39.6	39.6	30.9	22.2	13.5	35.5	3.9	35.5	35.5	35.5	26.8	18.1	9.4			
	57	41.3	3.6	41.3	41.3	40.8	32.1	23.4	14.7	37.0	4.0	37.0	37.0	36.7	28.0	19.3	10.6			

BHZ042 (3.5 Ton) (Continued)

Air on Evaporator Coil		Temperature of Air on Condenser Coil															
CFM	WB (°F)	Net Capacity ¹ (MBh)	Total Input (kW) ²	Sensible Capacity (MBh)						Net Capacity ¹ (MBh)	Total Input (kW) ²	Sensible Capacity (MBh)					
				Return Dry Bulb (°F)								Return Dry Bulb (°F)					
				90	85	80	75	70	65			90	85	80	75	70	65
				115°F						125°F							
1050	77	36.6	4.1	21.7	16.7	11.7	-	-	-	33.6	4.3	21.1	16.1	11.2	-	-	-
	72	32.6	4.0	28.7	23.7	18.7	13.7	-	-	29.0	4.3	27.5	22.6	17.6	12.6	-	-
	67	28.7	3.9	28.7	28.7	25.7	20.7	15.7	-	24.4	4.2	24.4	26.0	24.0	19.0	14.0	-
	62	27.4	3.9	27.4	27.4	27.4	22.4	17.5	12.5	24.3	4.1	24.3	24.3	24.3	19.3	14.3	9.3
	57	28.5	4.0	28.5	28.5	28.5	23.5	18.6	13.6	25.2	4.2	25.2	25.2	25.2	20.2	15.2	10.2
1225	77	37.9	4.3	29.2	19.9	12.2	-	-	-	34.7	4.6	30.0	20.1	11.5	-	-	-
	72	33.8	4.2	31.2	25.3	19.4	13.5	-	-	29.9	4.5	30.0	24.1	18.2	12.3	-	-
	67	29.7	4.1	29.7	29.7	26.6	20.7	14.8	-	25.1	4.4	25.1	26.5	24.8	18.9	13.0	-
	62	28.4	4.1	28.4	28.4	29.3	23.4	17.5	11.6	25.0	4.4	25.0	25.0	25.8	19.9	14.0	8.1
	57	29.6	4.1	29.6	29.6	29.9	24.0	18.1	12.2	26.0	4.5	26.0	26.0	26.5	20.6	14.7	8.8
1400	77	39.3	4.5	36.6	23.0	12.6	-	-	-	35.8	4.9	38.9	24.1	11.9	-	-	-
	72	35.0	4.4	33.7	26.9	20.1	13.3	-	-	30.8	4.8	32.4	25.6	18.8	12.0	-	-
	67	30.8	4.3	30.8	30.8	27.5	20.7	13.9	-	25.9	4.7	25.9	27.0	25.6	18.8	12.0	-
	62	29.4	4.3	29.4	29.4	31.2	24.4	17.6	10.8	25.8	4.7	25.8	25.8	27.3	20.5	13.7	6.9
	57	30.6	4.3	30.6	30.6	31.3	24.5	17.7	10.9	26.7	4.8	26.7	26.7	27.9	21.1	14.3	7.5
1575	72	36.2	4.4	35.5	28.5	20.7	13.0	-	-	31.7	4.8	33.8	27.1	19.4	11.6	-	-
	67	31.8	4.3	31.8	31.8	28.5	20.7	13.0	-	26.6	4.7	26.6	27.5	26.4	18.7	10.9	-
	62	30.4	4.3	30.4	30.4	31.3	23.5	15.8	8.0	26.5	4.6	26.5	26.5	27.3	19.6	11.8	4.1
	57	31.6	4.3	31.6	31.6	32.0	24.2	16.5	8.7	27.5	4.7	27.5	27.5	28.2	20.5	12.7	5.0
1750	72	37.4	4.4	37.4	30.1	21.4	12.7	-	-	32.6	4.7	35.2	28.7	20.0	11.3	-	-
	67	32.8	4.3	32.8	32.8	29.4	20.7	12.0	-	27.4	4.6	27.4	28.1	27.3	18.6	9.9	-
	62	31.4	4.2	31.4	31.4	31.4	22.7	14.0	5.3	27.3	4.6	27.3	27.3	27.3	18.6	9.9	1.2
	57	32.7	4.3	32.7	32.7	32.7	24.0	15.3	6.6	28.3	4.7	28.3	28.3	28.6	19.9	11.2	2.5

1. These capacities are Net Capacities.
2. These ratings include the compressor, condenser fan and supply air blower motors.

BHZ048 (4.0 Ton)

Air on Evaporator Coil		Temperature of Air on Condenser Coil															
CFM	WB (°F)	Net Capacity ¹ (MBh)	Total Input (kW) ²	Sensible Capacity (MBh)						Net Capacity ¹ (MBh)	Total Input (kW) ²	Sensible Capacity (MBh)					
				Return Dry Bulb (°F)								Return Dry Bulb (°F)					
				90	85	80	75	70	65			90	85	80	75	70	65
				75°F						85°F							
1200	77	61.1	3.3	32.3	25.1	17.8	-	-	-	58.8	3.4	30.4	24.0	17.5	-	-	-
	72	57.7	3.1	40.9	33.6	26.4	19.1	-	-	54.5	3.3	38.7	32.2	25.7	19.3	-	-
	67	54.2	2.8	49.4	42.2	34.9	27.7	20.4	-	50.2	3.3	47.0	40.5	34.0	27.5	21.0	-
	62	47.9	2.8	47.9	47.9	43.1	35.8	28.6	21.3	45.8	3.2	45.8	45.8	41.3	34.9	28.4	21.9
	57	49.1	2.8	49.1	49.1	43.6	36.3	29.1	21.8	46.3	3.1	46.3	46.3	41.6	35.1	28.7	22.2
1400	77	61.0	3.5	34.3	26.4	18.9	-	-	-	58.6	3.6	34.2	25.5	18.4	-	-	-
	72	57.6	3.2	43.0	35.5	28.0	20.5	-	-	54.3	3.5	41.3	34.2	27.0	19.9	-	-
	67	54.2	2.9	51.8	44.6	37.1	29.5	22.0	-	50.0	3.5	48.4	42.8	35.7	28.6	21.4	-
	62	47.9	2.9	47.9	47.9	45.7	38.2	30.7	23.2	45.7	3.4	45.7	45.7	43.4	36.3	29.2	22.0
	57	49.1	3.0	49.1	49.1	46.2	38.7	31.2	23.7	46.2	3.3	46.2	46.2	43.7	36.6	29.5	22.3
1600	77	61.0	3.7	36.2	27.8	20.0	-	-	-	58.4	3.8	37.9	27.0	19.2	-	-	-
	72	57.6	3.4	45.2	37.4	29.6	21.8	-	-	54.1	3.7	43.9	36.1	28.3	20.5	-	-
	67	54.1	3.1	54.1	47.0	39.2	31.4	23.7	-	49.8	3.7	49.8	45.2	37.4	29.6	21.9	-
	62	47.8	3.0	47.8	47.8	48.3	40.6	32.8	25.0	45.5	3.6	45.5	45.5	45.5	37.7	29.9	22.2
	57	49.0	3.1	49.0	49.0	48.9	41.1	33.3	25.6	46.0	3.4	46.0	46.0	45.8	38.0	30.2	22.5
1800	72	57.6	3.8	48.6	39.9	31.3	22.7	-	-	54.1	3.9	47.0	38.3	29.7	21.0	-	-
	67	54.2	3.5	54.2	50.6	41.4	32.8	24.2	-	49.8	3.9	49.8	47.5	39.2	30.6	21.9	-
	62	47.9	3.4	47.9	47.9	48.1	39.5	30.9	22.2	45.5	3.8	45.5	45.5	45.5	36.8	28.2	19.5
	57	49.1	3.5	49.1	49.1	49.0	40.4	31.7	23.1	45.9	3.6	45.9	45.9	45.9	37.2	28.6	19.9
	72	57.7	4.2	52.0	42.5	33.0	23.5	-	-	54.0	4.2	50.0	40.5	31.0	21.5	-	-
2000	67	54.3	3.8	54.3	54.3	43.7	34.2	24.7	-	49.7	4.1	49.7	49.7	41.0	31.5	22.0	-
	62	47.9	3.8	47.9	47.9	47.9	38.4	28.9	19.4	45.4	4.0	45.4	45.4	45.4	35.9	26.4	16.9
	57	49.1	3.8	49.1	49.1	49.1	39.6	30.1	20.6	45.9	3.8	45.9	45.9	45.9	36.4	26.9	17.4
					95°F						105°F						
	1200	77	56.5	3.4	28.5	22.8	17.1	-	-	-	51.7	3.8	27.8	22.1	16.4	-	-
72		51.3	3.6	36.5	30.8	25.1	19.4	-	-	46.4	3.8	35.7	30.0	24.3	18.6	-	-
67		46.1	3.8	44.5	38.8	33.1	27.4	21.7	-	41.0	3.9	40.2	37.4	32.2	26.5	20.8	-
62		43.7	3.6	43.7	43.7	39.6	33.9	28.2	22.5	39.6	3.8	39.6	39.6	37.3	31.6	25.9	20.2
57		43.5	3.3	43.5	43.5	39.7	34.0	28.3	22.6	39.5	3.6	39.5	39.5	37.4	31.7	26.0	20.2
1400	77	56.2	3.7	34.1	24.5	17.8	-	-	-	51.7	4.1	34.4	24.3	16.8	-	-	-
	72	51.0	3.8	39.5	32.8	26.1	19.3	-	-	46.3	4.2	38.3	31.6	24.8	18.1	-	-
	67	45.8	4.0	45.0	41.1	34.3	27.6	20.9	-	41.0	4.2	40.6	38.6	32.9	26.2	19.5	-
	62	43.5	3.8	43.5	43.5	41.1	34.4	27.6	20.9	39.5	4.1	39.5	39.5	38.1	31.4	24.6	17.9
	57	43.3	3.5	43.3	43.3	41.2	34.4	27.7	21.0	39.4	3.9	39.4	39.4	38.2	31.5	24.7	18.0
1600	77	55.8	3.9	39.7	26.2	18.4	-	-	-	51.6	4.5	41.0	26.5	17.1	-	-	-
	72	50.6	4.1	42.6	34.8	27.0	19.3	-	-	46.2	4.5	40.9	33.1	25.4	17.6	-	-
	67	45.5	4.3	45.5	43.4	35.6	27.8	20.1	-	40.9	4.5	40.9	39.8	33.6	25.9	18.1	-
	62	43.2	4.1	43.2	43.2	42.6	34.9	27.1	19.3	39.4	4.4	39.4	39.4	38.9	31.2	23.4	15.6
	57	43.0	3.8	43.0	43.0	42.7	34.9	27.2	19.4	39.4	4.2	39.4	39.4	39.0	31.2	23.5	15.7
1800	72	50.5	4.1	45.3	36.7	28.1	19.4	-	-	46.3	4.6	43.1	35.0	26.2	17.5	-	-
	67	45.3	4.3	45.3	44.3	37.0	28.3	19.7	-	40.9	4.6	40.9	40.4	34.8	26.0	17.3	-
	62	43.0	4.1	43.0	43.0	42.8	34.1	25.5	16.8	39.5	4.5	39.5	39.5	39.2	30.5	21.7	13.0
	57	42.8	3.8	42.8	42.8	42.7	34.1	25.4	16.8	39.4	4.3	39.4	39.4	39.2	30.5	21.7	13.0
	2000	72	50.3	4.2	48.1	38.6	29.1	19.6	-	-	46.3	4.6	45.2	36.8	27.1	17.4	-
67		45.2	4.4	45.2	45.2	38.3	28.8	19.3	-	41.0	4.7	41.0	41.0	35.9	26.2	16.5	-
62		42.9	4.2	42.9	42.9	42.9	33.4	23.9	14.4	39.5	4.5	39.5	39.5	39.5	29.8	20.1	10.4
57		42.7	3.8	42.7	42.7	42.7	33.2	23.7	14.2	39.4	4.4	39.4	39.4	39.4	29.7	20.0	10.3

BHZ048 (4.0 Ton) (Continued)

Air on Evaporator Coil		Temperature of Air on Condenser Coil															
		Net Capacity ¹ (MBh)	Total Input (kW) ²	Sensible Capacity (MBh)						Net Capacity ¹ (MBh)	Total Input (kW) ²	Sensible Capacity (MBh)					
				Return Dry Bulb (°F)								Return Dry Bulb (°F)					
				90	85	80	75	70	65			90	85	80	75	70	65
115°F										125°F							
1200	77	47.0	4.1	27.1	21.4	15.7	-	-	-	42.2	4.5	26.3	20.6	14.9	-	-	-
	72	41.5	4.0	34.9	29.2	23.5	17.8	-	-	36.5	4.3	34.1	28.4	22.7	17.0	-	-
	67	36.0	4.0	36.0	36.0	31.4	25.7	20.0	-	30.9	4.0	30.9	30.9	30.6	24.9	19.2	-
	62	35.4	3.9	35.4	35.4	35.0	29.2	23.5	17.8	31.2	4.0	31.2	31.2	31.2	26.9	21.2	15.5
57	35.5	3.9	35.5	35.5	35.0	29.3	23.6	17.9	31.4	4.2	31.4	31.4	31.4	27.0	21.3	15.6	-
1400	77	47.1	4.6	34.7	24.0	15.7	-	-	-	42.6	5.0	34.9	23.8	14.7	-	-	-
	72	41.6	4.5	37.1	30.4	23.6	16.9	-	-	37.0	4.8	35.9	29.1	22.4	15.7	-	-
	67	36.1	4.4	36.1	36.1	31.5	24.8	18.0	-	31.3	4.6	31.3	31.3	30.1	23.4	16.6	-
	62	35.5	4.3	35.5	35.5	35.1	28.4	21.6	14.9	31.6	4.6	31.6	31.6	31.6	25.3	18.6	11.9
57	35.6	4.3	35.6	35.6	35.2	28.5	21.7	15.0	31.8	4.7	31.8	31.8	31.8	25.5	18.7	12.0	-
1600	77	47.3	5.0	42.3	26.7	15.8	-	-	-	43.1	5.6	43.1	26.9	14.5	-	-	-
	72	41.8	4.9	39.3	31.5	23.7	15.9	-	-	37.4	5.3	37.4	29.8	22.1	14.3	-	-
	67	36.3	4.8	36.3	36.3	31.7	23.9	16.1	-	31.7	5.1	31.7	31.7	29.7	21.9	14.1	-
	62	35.7	4.7	35.7	35.7	35.2	27.5	19.7	11.9	31.9	5.1	31.9	31.9	31.5	23.8	16.0	8.2
57	35.7	4.7	35.7	35.7	35.3	27.6	19.8	12.0	32.1	5.2	32.1	32.1	31.7	23.9	16.1	8.3	-
1800	72	42.1	5.0	40.8	33.3	24.4	15.6	-	-	37.9	5.4	37.9	31.6	22.6	13.7	-	-
	67	36.5	4.9	36.5	36.5	32.6	23.8	14.9	-	32.1	5.2	32.1	32.1	30.4	21.5	12.5	-
	62	35.9	4.8	35.9	35.9	35.7	26.8	18.0	9.1	32.4	5.2	32.4	32.4	32.2	23.2	14.2	5.3
	57	36.0	4.8	36.0	36.0	35.8	26.9	18.1	9.2	32.5	5.3	32.5	32.5	32.3	23.3	14.4	5.4
2000	72	42.4	5.1	42.4	35.1	25.2	15.2	-	-	38.4	5.5	38.4	33.3	23.2	13.0	-	-
	67	36.8	5.0	36.8	36.8	33.6	23.6	13.7	-	32.5	5.3	32.5	32.5	31.2	21.0	10.9	-
	62	36.1	4.9	36.1	36.1	36.1	26.2	16.3	6.3	32.8	5.2	32.8	32.8	32.8	22.6	12.5	2.3
	57	36.2	4.9	36.2	36.2	36.2	26.3	16.3	6.4	33.0	5.4	33.0	33.0	33.0	22.8	12.7	2.5

1. These capacities are Net Capacities.
2. These ratings include the compressor, condenser fan and supply air blower motors.

BHZ060 (5.0 Ton)

Air on Evaporator Coil		Temperature of Air on Condenser Coil															
CFM	WB (°F)	Net Capacity ¹ (MBh)	Total Input (kW) ²	Sensible Capacity (MBh)						Net Capacity ¹ (MBh)	Total Input (kW) ²	Sensible Capacity (MBh)					
				Return Dry Bulb (°F)								Return Dry Bulb (°F)					
				90	85	80	75	70	65			90	85	80	75	70	65
				75°F						85°F							
1500	77	74.6	3.8	37.2	30.1	23.0	-	-	-	68.9	4.6	34.2	27.1	19.9	-	-	-
	72	65.7	3.9	42.0	34.9	27.8	20.6	-	-	62.7	4.6	42.6	35.5	28.4	21.3	-	-
	67	56.8	4.0	46.8	39.7	32.6	25.4	18.3	-	56.4	4.5	51.1	44.0	36.8	29.7	22.6	-
	62	55.7	3.6	55.7	55.7	45.4	38.2	31.1	24.0	53.4	4.2	53.4	53.4	46.6	39.5	32.3	25.2
	57	55.0	3.6	55.0	55.0	46.1	39.0	31.9	24.8	53.0	4.2	53.0	53.0	46.9	39.7	32.6	25.5
1750	77	76.7	4.1	41.6	33.6	25.1	-	-	-	70.0	4.8	39.3	29.6	21.1	-	-	-
	72	67.6	4.2	47.6	39.2	30.7	22.3	-	-	63.6	4.8	46.9	38.5	30.1	21.7	-	-
	67	58.5	4.4	53.5	44.8	36.4	27.9	19.5	-	57.3	4.7	54.6	47.5	39.0	30.6	22.2	-
	62	57.3	3.9	57.3	57.3	50.3	41.8	33.4	25.0	54.2	4.4	54.2	54.2	49.4	41.0	32.6	24.1
	57	56.7	3.9	56.7	56.7	51.0	42.6	34.2	25.8	53.7	4.4	53.7	53.7	49.7	41.3	32.8	24.4
2000	77	78.8	4.4	46.0	37.0	27.3	-	-	-	71.0	5.0	44.3	32.1	22.3	-	-	-
	72	69.5	4.6	53.2	43.4	33.7	24.0	-	-	64.6	5.0	51.2	41.5	31.8	22.1	-	-
	67	60.3	4.7	60.3	49.9	40.2	30.4	20.7	-	58.1	4.9	58.1	51.0	41.3	31.5	21.8	-
	62	58.9	4.2	58.9	58.9	55.1	45.4	35.7	26.0	55.0	4.6	55.0	55.0	52.2	42.5	32.8	23.1
	57	58.3	4.2	58.3	58.3	56.0	46.2	36.5	26.8	54.5	4.6	54.5	54.5	52.5	42.8	33.1	23.3
2250	72	73.2	4.5	60.4	49.3	38.2	27.1	-	-	66.9	5.0	57.1	46.1	35.0	23.9	-	-
	67	63.6	4.6	63.6	58.0	45.8	34.7	23.6	-	60.2	4.9	60.2	56.5	45.4	34.3	23.3	-
	62	62.1	4.2	62.1	62.1	60.2	49.1	38.0	27.0	57.0	4.7	57.0	57.0	55.6	44.5	33.5	22.4
	57	61.4	4.1	61.4	61.4	60.3	49.2	38.1	27.0	56.5	4.6	56.5	56.5	55.5	44.4	33.4	22.3
	72	77.0	4.5	67.6	55.1	42.7	30.3	-	-	69.2	5.1	63.0	50.6	38.2	25.8	-	-
2500	67	66.9	4.6	66.9	66.2	51.4	39.0	26.5	-	62.3	5.0	62.3	62.0	49.6	37.1	24.7	-
	62	65.2	4.1	65.2	65.2	65.2	52.8	40.4	28.0	59.0	4.7	59.0	59.0	59.0	46.6	34.2	21.7
	57	64.5	4.1	64.5	64.5	64.5	52.1	39.7	27.3	58.5	4.7	58.5	58.5	58.5	46.1	33.7	21.2
					95°F						105°F						
	1500	77	63.3	5.5	31.1	24.0	16.9	-	-	-	57.8	5.8	29.5	22.4	15.3	-	-
72		59.7	5.2	43.2	36.1	29.0	21.9	-	-	53.8	5.6	40.0	32.9	25.8	18.7	-	-
67		56.1	4.9	55.3	48.2	41.1	34.0	26.8	-	49.8	5.4	49.4	43.4	36.3	29.1	22.0	-
62		51.2	4.9	51.2	51.2	47.8	40.7	33.6	26.4	45.7	5.3	45.7	45.7	43.6	36.5	29.4	22.2
57		50.9	4.9	50.9	50.9	47.6	40.5	33.3	26.2	46.5	5.3	46.5	46.5	42.1	34.9	27.8	20.7
1750	77	63.2	5.6	36.9	25.6	17.1	-	-	-	58.1	6.0	36.9	24.6	15.9	-	-	-
	72	59.6	5.3	46.3	37.9	29.4	21.0	-	-	54.1	5.8	43.7	35.2	26.8	18.4	-	-
	67	56.0	5.0	55.7	50.1	41.7	33.3	24.9	-	50.1	5.5	49.9	45.9	37.7	29.3	20.9	-
	62	51.1	4.9	51.1	51.1	48.6	40.1	31.7	23.3	45.9	5.4	45.9	45.9	45.4	37.0	28.6	20.1
	57	50.8	4.9	50.8	50.8	48.3	39.9	31.5	23.1	46.7	5.4	46.7	46.7	43.8	35.3	26.9	18.5
2000	77	63.2	5.7	42.6	27.1	17.4	-	-	-	58.4	6.1	44.2	26.8	16.5	-	-	-
	72	59.6	5.4	49.3	39.6	29.9	20.2	-	-	54.4	5.9	47.3	37.6	27.9	18.1	-	-
	67	56.0	5.1	56.0	52.1	42.3	32.6	22.9	-	50.3	5.7	50.3	48.4	39.2	29.5	19.7	-
	62	51.1	5.0	51.1	51.1	49.3	39.6	29.9	20.1	46.2	5.5	46.2	46.2	47.2	37.5	27.8	18.0
	57	50.8	5.0	50.8	50.8	49.1	39.3	29.6	19.9	47.0	5.5	47.0	47.0	45.4	35.7	26.0	16.3
2250	72	60.6	5.5	53.9	42.9	31.8	20.7	-	-	55.6	6.0	51.3	40.6	29.5	18.4	-	-
	67	56.9	5.3	56.9	54.9	45.0	34.0	22.9	-	51.5	5.8	51.5	50.5	41.5	30.4	19.4	-
	62	51.9	5.2	51.9	51.9	51.0	40.0	28.9	17.8	47.3	5.7	47.3	47.3	47.8	36.7	25.6	14.5
	57	51.6	5.2	51.6	51.6	50.7	39.7	28.6	17.5	48.1	5.7	48.1	48.1	47.3	36.2	25.2	14.1
	72	61.5	5.7	58.5	46.1	33.7	21.3	-	-	56.9	6.1	55.4	43.6	31.2	18.7	-	-
2500	67	57.8	5.4	57.8	57.8	47.7	35.3	22.9	-	52.7	5.9	52.7	52.7	43.8	31.4	19.0	-
	62	52.8	5.3	52.8	52.8	52.8	40.3	27.9	15.5	48.3	5.8	48.3	48.3	48.3	35.9	23.5	11.1
	57	52.4	5.3	52.4	52.4	52.4	40.0	27.6	15.2	49.2	5.8	49.2	49.2	49.2	36.8	24.3	11.9

BHZ060 (5.0 Ton) (Continued)

Air on Evaporator Coil		Temperature of Air on Condenser Coil															
		Net Capacity ¹ (MBh)	Total Input (kW) ²	Sensible Capacity (MBh)						Net Capacity ¹ (MBh)	Total Input (kW) ²	Sensible Capacity (MBh)					
				Return Dry Bulb (°F)								Return Dry Bulb (°F)					
				90	85	80	75	70	65			90	85	80	75	70	65
		115°F								125°F							
1500	77	52.2	6.2	27.9	20.8	13.7	-	-	-	46.7	6.6	26.3	19.2	12.1	-	-	-
	72	47.9	6.1	36.8	29.7	22.6	15.5	-	-	42.0	6.5	33.6	26.5	19.4	12.2	-	-
	67	43.5	5.9	43.5	38.6	31.5	24.3	17.2	-	37.2	6.4	37.2	33.8	26.7	19.5	12.4	-
	62	40.2	5.8	40.2	40.2	39.4	32.3	25.1	18.0	34.7	6.2	34.7	34.7	34.7	28.1	20.9	13.8
	57	42.0	5.8	42.0	42.0	36.6	29.4	22.3	15.2	37.6	6.2	37.6	37.6	31.0	23.9	16.8	9.7
1750	77	52.9	6.4	36.9	23.6	14.7	-	-	-	47.8	6.8	36.9	22.6	13.4	-	-	-
	72	48.5	6.2	41.1	32.6	24.2	15.8	-	-	43.0	6.7	38.4	30.0	21.6	13.2	-	-
	67	44.1	6.1	44.1	41.6	33.7	25.3	16.9	-	38.1	6.6	38.1	37.4	29.7	21.3	12.9	-
	62	40.7	5.9	40.7	40.7	42.2	33.8	25.4	17.0	35.5	6.4	35.5	35.5	35.5	30.7	22.2	13.8
	57	42.6	5.9	42.6	42.6	39.2	30.8	22.3	13.9	38.5	6.4	38.5	38.5	34.6	26.2	17.8	9.4
2000	77	53.6	6.5	45.9	26.4	15.7	-	-	-	48.9	7.0	47.5	26.1	14.8	-	-	-
	72	49.2	6.4	45.3	35.6	25.8	16.1	-	-	43.9	6.9	43.3	33.5	23.8	14.1	-	-
	67	44.7	6.2	44.7	44.7	36.0	26.3	16.6	-	39.0	6.8	39.0	39.0	32.8	23.1	13.4	-
	62	41.3	6.1	41.3	41.3	45.1	35.4	25.6	15.9	36.3	6.6	36.3	36.3	36.3	33.3	23.5	13.8
	57	43.2	6.1	43.2	43.2	41.8	32.1	22.4	12.7	39.4	6.6	39.4	39.4	38.2	28.5	18.8	9.1
2250	72	50.7	6.5	48.8	38.3	27.2	16.2	-	-	45.8	7.0	45.8	36.0	25.0	13.9	-	-
	67	46.1	6.3	46.1	46.1	37.9	26.9	15.8	-	40.7	6.9	40.7	40.7	34.4	23.3	12.3	-
	62	42.6	6.2	42.6	42.6	44.5	33.4	22.3	11.3	37.9	6.7	37.9	37.9	37.9	30.1	19.1	8.0
		57	44.6	6.2	44.6	44.6	43.9	32.8	21.7	10.7	41.0	6.7	41.0	41.0	40.4	29.4	18.3
2500	72	52.3	6.6	52.3	41.0	28.6	16.2	-	-	47.7	7.0	47.7	38.5	26.1	13.7	-	-
	67	47.5	6.4	47.5	47.5	39.9	27.5	15.1	-	42.4	6.9	42.4	42.4	36.0	23.6	11.1	-
	62	43.9	6.3	43.9	43.9	43.9	31.5	19.0	6.6	39.4	6.7	39.4	39.4	39.4	27.0	14.6	2.2
		57	45.9	6.3	45.9	45.9	45.9	33.5	21.1	8.7	42.7	6.7	42.7	42.7	42.7	30.2	17.8

1. These capacities are Net Capacities.
2. These ratings include the compressor, condenser fan and supply air blower motors.

Heating Capacities

BHZ024-060

Size (Tons)	Air Over Evaporator Coil		Capacity ¹ & kW ²	Outdoor Temperature (°F @ 72% RH)							
	CFM	DB (°F)		-10	0	10	20	30	40	50	60
024 (2.0)	600	55	MBH	4.86	6.37	8.30	10.78	13.98	18.11	23.43	30.30
			KW	1.29	1.37	1.45	1.52	1.60	1.67	1.75	1.82
		70	MBH	2.79	4.28	6.21	8.69	11.89	16.02	21.34	28.21
			KW	1.51	1.58	1.66	1.74	1.81	1.89	1.96	2.04
		80	MBH	1.62	3.11	5.03	7.52	10.72	14.84	20.17	27.04
			KW	1.68	1.76	1.83	1.91	1.98	2.06	2.13	2.21
	700	55	MBH	6.05	7.55	9.48	11.96	15.16	19.29	24.61	31.48
			KW	1.29	1.37	1.44	1.52	1.59	1.67	1.74	1.82
		70	MBH	3.97	5.46	7.39	9.87	13.07	17.20	22.52	29.39
			KW	1.51	1.58	1.66	1.73	1.81	1.88	1.96	2.03
		80	MBH	2.80	4.29	6.21	8.69	11.90	16.02	21.35	28.22
			KW	1.68	1.75	1.83	1.90	1.98	2.05	2.13	2.21
	800	55	MBH	7.24	8.73	10.65	13.14	16.34	20.47	25.79	32.66
			KW	1.29	1.36	1.44	1.51	1.59	1.66	1.74	1.81
		70	MBH	5.15	6.64	8.56	11.05	14.25	18.38	23.70	30.57
			KW	1.50	1.58	1.65	1.73	1.80	1.88	1.95	2.03
		80	MBH	3.98	5.47	7.39	9.87	13.07	17.20	22.53	29.39
			KW	1.67	1.75	1.83	1.90	1.98	2.05	2.13	2.20
	900	55	MBH	8.43	9.91	11.83	14.32	17.52	21.64	26.97	33.84
			KW	1.28	1.36	1.43	1.51	1.58	1.66	1.73	1.81
		70	MBH	6.33	7.82	9.74	12.23	15.43	19.55	24.88	31.75
			KW	1.50	1.57	1.65	1.72	1.80	1.87	1.95	2.02
		80	MBH	5.15	6.65	8.57	11.05	14.25	18.38	23.71	30.57
			KW	1.67	1.75	1.82	1.90	1.97	2.05	2.12	2.20
1000	55	MBH	9.61	11.09	13.01	15.49	18.70	22.82	28.15	35.02	
		KW	1.28	1.35	1.43	1.50	1.58	1.65	1.73	1.81	
	70	MBH	7.51	9.00	10.92	13.40	16.61	20.73	26.06	32.93	
		KW	1.49	1.57	1.64	1.72	1.79	1.87	1.94	2.02	
	80	MBH	6.33	7.83	9.75	12.23	15.43	19.56	24.88	31.75	
		KW	1.67	1.74	1.82	1.89	1.97	2.04	2.12	2.19	
030 (2.5)	750	55	MBH	12.14	13.95	16.07	18.55	21.46	24.87	28.85	33.52
			KW	1.68	1.73	1.79	1.85	1.91	1.97	2.03	2.09
		70	MBH	9.98	11.80	13.92	16.40	19.31	22.71	26.70	31.36
			KW	1.95	2.01	2.07	2.13	2.19	2.25	2.31	2.36
		80	MBH	9.05	10.86	12.99	15.47	18.38	21.78	25.77	30.43
			KW	2.31	2.37	2.42	2.48	2.54	2.60	2.66	2.72
	875	55	MBH	12.39	14.20	16.33	18.81	21.72	25.12	29.11	33.77
			KW	1.67	1.73	1.79	1.85	1.91	1.97	2.02	2.08
		70	MBH	10.24	12.05	14.17	16.66	19.57	22.97	26.96	31.62
			KW	1.95	2.01	2.07	2.13	2.19	2.24	2.30	2.36
		80	MBH	9.31	11.12	13.24	15.72	18.63	22.04	26.02	30.69
			KW	2.30	2.36	2.42	2.48	2.54	2.60	2.66	2.72
	1000	55	MBH	12.77	14.59	16.71	19.19	22.10	25.50	29.49	34.15
			KW	1.67	1.73	1.78	1.84	1.90	1.96	2.02	2.08
		70	MBH	10.62	12.44	14.56	17.04	19.95	23.35	27.34	32.00
			KW	1.95	2.00	2.06	2.12	2.18	2.24	2.30	2.36
		80	MBH	9.69	11.50	13.62	16.11	19.02	22.42	26.40	31.07
			KW	2.30	2.36	2.42	2.48	2.53	2.59	2.65	2.71
	1125	55	MBH	13.35	15.16	17.28	19.77	22.68	26.08	30.06	34.73
			KW	1.66	1.72	1.78	1.84	1.90	1.95	2.01	2.07
		70	MBH	11.20	13.01	15.13	17.62	20.52	23.93	27.91	32.58
			KW	1.94	2.00	2.06	2.11	2.17	2.23	2.29	2.35
		80	MBH	10.26	12.08	14.20	16.68	19.59	22.99	26.98	31.64
			KW	2.29	2.35	2.41	2.47	2.53	2.59	2.64	2.70
1250	55	MBH	13.73	15.55	17.67	20.15	23.06	26.46	30.45	35.11	
		KW	1.66	1.71	1.77	1.83	1.89	1.95	2.01	2.07	
	70	MBH	11.58	13.39	15.52	18.00	20.91	24.31	28.30	32.96	
		KW	1.93	1.99	2.05	2.11	2.17	2.23	2.29	2.35	
	80	MBH	10.65	12.46	14.58	17.07	19.97	23.38	27.36	32.03	
		KW	2.29	2.35	2.41	2.46	2.52	2.58	2.64	2.70	

BHZ024-060 (Continued)

Size (Tons)	Air Over Evaporator Coil		Capacity ¹ & kW ²	Outdoor Temperature (°F @ 72% RH)							
	CFM	DB (°F)		-10	0	10	20	30	40	50	60
036 (3.0)	900	55	MBH	11.61	13.92	16.68	19.98	23.94	28.67	34.32	41.09
			KW	1.98	2.15	2.32	2.49	2.65	2.82	2.99	3.16
		70	MBH	10.65	12.96	15.72	19.02	22.98	27.71	33.37	40.14
			KW	2.34	2.51	2.68	2.85	3.02	3.19	3.36	3.53
		80	MBH	9.30	11.61	14.37	17.67	21.63	26.36	32.02	38.79
			KW	2.62	2.79	2.95	3.12	3.29	3.46	3.63	3.80
	1050	55	MBH	11.98	14.29	17.05	20.36	24.31	29.04	34.70	41.47
			KW	1.94	2.11	2.28	2.45	2.61	2.78	2.95	3.12
		70	MBH	11.02	13.33	16.09	19.40	23.35	28.08	33.74	40.51
			KW	2.30	2.47	2.64	2.81	2.98	3.15	3.32	3.49
		80	MBH	9.67	11.98	14.74	18.05	22.00	26.73	32.39	39.16
			KW	2.58	2.75	2.91	3.08	3.25	3.42	3.59	3.76
	1200	55	MBH	12.72	15.03	17.80	21.10	25.05	29.78	35.44	42.21
			KW	1.86	2.03	2.20	2.37	2.53	2.70	2.87	3.04
		70	MBH	11.77	14.07	16.84	20.14	24.10	28.83	34.48	41.25
			KW	2.22	2.39	2.56	2.73	2.90	3.07	3.24	3.41
		80	MBH	10.42	12.72	15.49	18.79	22.75	27.48	33.13	39.90
			KW	2.50	2.67	2.83	3.00	3.17	3.34	3.51	3.68
	1350	55	MBH	13.10	15.41	18.17	21.47	25.43	30.16	35.81	42.58
			KW	1.82	1.99	2.16	2.33	2.49	2.66	2.83	3.00
		70	MBH	12.14	14.45	17.21	20.51	24.47	29.20	34.86	41.63
			KW	2.18	2.35	2.52	2.69	2.86	3.03	3.20	3.37
		80	MBH	10.79	13.10	15.86	19.16	23.12	27.85	33.51	40.28
			KW	2.46	2.63	2.79	2.96	3.13	3.30	3.47	3.64
1500	55	MBH	13.28	15.59	18.35	21.66	25.61	30.34	36.00	42.77	
		KW	1.80	1.97	2.14	2.31	2.47	2.64	2.81	2.98	
	70	MBH	12.32	14.63	17.40	20.70	24.65	29.38	35.04	41.81	
		KW	2.16	2.33	2.50	2.67	2.84	3.01	3.18	3.35	
	80	MBH	10.97	13.28	16.05	19.35	23.30	28.03	33.69	40.46	
		KW	2.44	2.61	2.77	2.94	3.11	3.28	3.45	3.62	
042 (3.5)	1050	55	MBH	14.34	17.01	20.13	23.79	28.08	33.09	38.97	45.85
			KW	2.20	2.43	2.66	2.89	3.12	3.34	3.57	3.80
		70	MBH	14.60	17.27	20.39	24.05	28.34	33.36	39.23	46.11
			KW	2.72	2.95	3.18	3.41	3.63	3.86	4.09	4.32
		80	MBH	13.11	15.77	18.90	22.56	26.84	31.86	37.74	44.62
			KW	3.13	3.35	3.58	3.81	4.04	4.27	4.49	4.72
	1225	55	MBH	14.84	17.51	20.63	24.29	28.58	33.59	39.47	46.35
			KW	2.09	2.32	2.55	2.78	3.00	3.23	3.46	3.69
		70	MBH	15.10	17.77	20.89	24.55	28.84	33.86	39.73	46.61
			KW	2.61	2.84	3.07	3.29	3.52	3.75	3.98	4.21
		80	MBH	13.61	16.27	19.40	23.06	27.34	32.36	38.24	45.12
			KW	3.01	3.24	3.47	3.70	3.93	4.15	4.38	4.61
	1400	55	MBH	15.34	18.01	21.13	24.79	29.08	34.09	39.97	46.85
			KW	1.98	2.21	2.44	2.66	2.89	3.12	3.35	3.57
		70	MBH	15.60	18.27	21.39	25.05	29.34	34.35	40.23	47.11
			KW	2.50	2.73	2.95	3.18	3.41	3.64	3.86	4.09
		80	MBH	14.11	16.77	19.90	23.56	27.84	32.86	38.74	45.62
			KW	2.90	3.13	3.36	3.59	3.81	4.04	4.27	4.50
	1575	55	MBH	15.54	18.21	21.33	24.99	29.28	34.29	40.17	47.05
			KW	1.93	2.16	2.39	2.62	2.85	3.07	3.30	3.53
		70	MBH	15.80	18.47	21.59	25.25	29.54	34.55	40.43	47.31
			KW	2.45	2.68	2.91	3.14	3.36	3.59	3.82	4.05
		80	MBH	14.31	16.97	20.10	23.76	28.04	33.06	38.94	45.82
			KW	2.86	3.08	3.31	3.54	3.77	4.00	4.22	4.45
1750	55	MBH	15.62	18.29	21.41	25.07	29.35	34.37	40.25	47.13	
		KW	1.92	2.14	2.37	2.60	2.83	3.06	3.28	3.51	
	70	MBH	15.88	18.55	21.67	25.33	29.62	34.63	40.51	47.39	
		KW	2.43	2.66	2.89	3.12	3.35	3.57	3.80	4.03	
	80	MBH	14.39	17.05	20.18	23.84	28.12	33.14	39.02	45.90	
		KW	2.84	3.07	3.29	3.52	3.75	3.98	4.21	4.43	

BHZ024-060 (Continued)

Size (Tons)	Air Over Evaporator Coil		Capacity ¹ & kW ²	Outdoor Temperature (°F @ 72% RH)							
	CFM	DB (°F)		-10	0	10	20	30	40	50	60
048 (4.0)	1200	55	MBH	17.36	20.44	24.07	28.36	33.44	39.45	46.55	54.95
			KW	2.47	2.63	2.78	2.93	3.08	3.23	3.39	3.54
		70	MBH	15.59	18.66	22.29	26.58	31.66	37.67	44.78	53.18
			KW	2.93	3.09	3.24	3.39	3.54	3.69	3.85	4.00
		80	MBH	14.50	17.57	21.21	25.50	30.58	36.59	43.69	52.09
			KW	3.29	3.44	3.59	3.75	3.90	4.05	4.20	4.35
	1400	55	MBH	17.67	20.74	24.38	28.67	33.75	39.76	46.86	55.26
			KW	2.49	2.64	2.79	2.95	3.10	3.25	3.40	3.55
		70	MBH	15.90	18.97	22.60	26.89	31.97	37.98	45.09	53.49
			KW	2.95	3.10	3.25	3.41	3.56	3.71	3.86	4.01
		80	MBH	14.81	17.88	21.52	25.81	30.89	36.90	44.00	52.40
			KW	3.31	3.46	3.61	3.76	3.91	4.06	4.22	4.37
	1600	55	MBH	18.60	21.67	25.31	29.60	34.68	40.69	47.79	56.19
			KW	2.53	2.69	2.84	2.99	3.14	3.29	3.44	3.60
		70	MBH	16.82	19.90	23.53	27.82	32.90	38.91	46.01	54.42
			KW	2.99	3.15	3.30	3.45	3.60	3.75	3.90	4.06
		80	MBH	15.74	18.81	22.45	26.74	31.82	37.83	44.93	53.33
			KW	3.35	3.50	3.65	3.81	3.96	4.11	4.26	4.41
	1800	55	MBH	18.91	21.98	25.62	29.91	34.99	41.00	48.10	56.50
			KW	2.55	2.70	2.85	3.00	3.16	3.31	3.46	3.61
		70	MBH	17.13	20.21	23.84	28.13	33.21	39.22	46.32	54.73
			KW	3.01	3.16	3.31	3.46	3.62	3.77	3.92	4.07
		80	MBH	16.05	19.12	22.75	27.05	32.13	38.14	45.24	53.64
			KW	3.36	3.52	3.67	3.82	3.97	4.12	4.28	4.43
2000	55	MBH	19.01	22.09	25.72	30.01	35.09	41.10	48.21	56.61	
		KW	2.55	2.70	2.86	3.01	3.16	3.31	3.46	3.62	
	70	MBH	17.24	20.31	23.94	28.24	33.32	39.32	46.43	54.83	
		KW	3.01	3.16	3.32	3.47	3.62	3.77	3.92	4.08	
	80	MBH	16.15	19.23	22.86	27.15	32.23	38.24	45.34	53.75	
		KW	3.37	3.52	3.67	3.82	3.98	4.13	4.28	4.43	
060 (5.0)	1500	55	MBH	24.54	28.20	32.46	37.44	43.23	49.98	57.85	67.02
			KW	3.12	3.34	3.56	3.79	4.01	4.23	4.45	4.67
		70	MBH	22.90	26.57	30.83	35.80	41.60	48.35	56.21	65.38
			KW	3.56	3.78	4.00	4.22	4.44	4.66	4.89	5.11
		80	MBH	21.74	25.40	29.67	34.64	40.43	47.18	55.05	64.22
			KW	4.07	4.30	4.52	4.74	4.96	5.18	5.40	5.62
	1750	55	MBH	24.18	27.84	32.11	37.08	42.87	49.62	57.49	66.66
			KW	3.20	3.42	3.64	3.86	4.08	4.31	4.53	4.75
		70	MBH	22.55	26.21	30.47	35.45	41.24	47.99	55.86	65.02
			KW	3.63	3.85	4.08	4.30	4.52	4.74	4.96	5.18
		80	MBH	21.38	25.04	29.31	34.28	40.08	46.83	54.69	63.86
			KW	4.15	4.37	4.59	4.82	5.04	5.26	5.48	5.70
	2000	55	MBH	23.78	27.44	31.71	36.68	42.47	49.23	57.09	66.26
			KW	3.28	3.50	3.73	3.95	4.17	4.39	4.61	4.83
		70	MBH	22.15	25.81	30.08	35.05	40.84	47.59	55.46	64.63
			KW	3.72	3.94	4.16	4.38	4.60	4.83	5.05	5.27
		80	MBH	20.99	24.65	28.91	33.89	39.68	46.43	54.30	63.46
			KW	4.24	4.46	4.68	4.90	5.12	5.34	5.56	5.79
	2250	55	MBH	23.38	27.05	31.31	36.28	42.08	48.83	56.70	65.86
			KW	3.37	3.59	3.81	4.03	4.25	4.48	4.70	4.92
		70	MBH	21.75	25.41	29.68	34.65	40.44	47.20	55.06	64.23
			KW	3.80	4.02	4.25	4.47	4.69	4.91	5.13	5.35
		80	MBH	20.59	24.25	28.52	33.49	39.28	46.03	53.90	63.07
			KW	4.32	4.54	4.76	4.99	5.21	5.43	5.65	5.87
2500	55	MBH	22.39	26.05	30.32	35.29	41.08	47.83	55.70	64.87	
		KW	3.58	3.80	4.02	4.24	4.47	4.69	4.91	5.13	
	70	MBH	20.76	24.42	28.69	33.66	39.45	46.20	54.07	63.24	
		KW	4.02	4.24	4.46	4.68	4.90	5.12	5.34	5.57	
	80	MBH	19.59	23.26	27.52	32.49	38.29	45.04	52.91	62.07	
		KW	4.53	4.76	4.98	5.20	5.42	5.64	5.86	6.08	

1. These Capacities are net capacities - the indoor motor heat has been added.
 2. These power inputs are total power inputs - the indoor motor watts have been added.

BHZ024-060

Size (Tons)	Model	Unit Speed	External Static Pressure (Inch Water Gauge)														
			0.2			0.4			0.6			0.8			1.0		
			SCFM	W	RPM	SCFM	W	RPM	SCFM	W	RPM	SCFM	W	RPM	SCFM	W	RPM
024 (2.0)	BHZ	Low (1)	721	82	600	611	97	705	-	-	-	-	-	-	-	-	-
		Low/Medium (2)	769	93	628	694	112	730	610	126	832	-	-	-	-	-	-
		Medium (3)	882	131	704	812	147	797	736	162	889	651	177	979	-	-	-
		Medium/High (4)	971	171	773	916	188	857	851	205	939	775	219	1019	681	230	1097
		High (5)	-	-	-	-	-	-	957	249	982	887	261	1052	788	266	1120
030 (2.5)	BHZ	Low (1)	828	110	673	759	125	771	-	-	-	-	-	-	-	-	-
		Low/Medium (2)	991	168	754	934	187	839	868	205	922	783	221	1003	-	-	-
		Medium (3)	1091	214	807	1041	234	883	983	253	958	910	269	1033	785	273	1106
		Medium/High (4)	1189	269	861	1144	288	927	1091	305	994	1027	318	1061	912	316	1132
		High (5)	-	-	-	1235	347	970	1186	360	1028	1125	368	1086	1007	352	1147
036 (3.0)	BHZ	Low (1)	1025	158	769	906	175	856	-	-	-	-	-	-	-	-	-
		Low/Medium (2)	1214	237	764	1125	260	839	1034	283	913	942	307	987	-	-	-
		Medium (3)	1370	305	779	1276	330	846	1179	354	913	1078	377	981	971	397	1048
		Medium/High (4)	-	-	-	1416	413	872	1314	436	932	1206	454	993	1083	460	1051
		High (5)	-	-	-	-	-	-	1441	530	970	1326	538	1022	1182	521	1070
042 (3.5)	BHZ	Low (1)	1241	221	702	1151	245	778	1058	268	853	-	-	-	-	-	-
		Low/Medium (2)	1406	299	759	1325	324	826	1242	349	893	1158	373	959	1072	396	1025
		Medium (3)	1536	376	808	1461	403	869	1384	427	928	1305	449	988	1223	468	1046
		Medium/High (4)	1656	466	858	1584	492	912	1509	515	966	1430	533	1019	1344	542	1070
		High (5)	-	-	-	1687	590	955	1611	610	1004	1527	620	1051	1428	615	1097
048 (4.0)	BHZ	Low (1)	1342	249	717	1250	273	789	-	-	-	-	-	-	-	-	-
		Low/Medium (2)	1596	397	817	1513	422	875	1432	447	934	1354	474	995	1276	501	1058
		Medium (3)	1705	476	858	1624	501	911	1545	526	966	1466	549	1021	1386	571	1077
		Medium/High (4)	1806	561	895	1726	587	945	1646	610	995	1564	628	1046	1476	639	1096
		High (5)	1898	652	929	1819	679	977	1736	698	1023	1646	709	1069	1547	706	1112
060 (5.0)	BHZ	Low (1)	1580	394	859	1504	420	917	-	-	-	-	-	-	-	-	-
		Low/Medium (2)	1614	419	874	1540	446	931	-	-	-	-	-	-	-	-	-
		Medium (3)	1733	508	924	1663	536	976	1588	559	1026	1501	572	1072	-	-	-
		Medium/High (4)	2003	737	1030	1922	746	1069	1829	746	1104	1712	728	1134	1528	659	1146
		High (5)	2214	968	1104	2089	918	1121	1949	859	1136	1785	787	1148	1576	689	1154

BHZ024-060

Size (Tons)	Model	Unit Speed	External Static Pressure (Inch Water Gauge)														
			0.2			0.4			0.6			0.8			1.0		
			SCFM	W	RPM	SCFM	W	RPM	SCFM	W	RPM	SCFM	W	RPM	SCFM	W	RPM
024 (2.0)	BHZ	Low (1)	721	82	600	611	97	705	-	-	-	-	-	-	-	-	-
		Low/Medium (2)	769	93	628	694	112	730	610	126	832	-	-	-	-	-	-
		Medium (3)	882	131	704	812	147	797	736	162	889	651	177	979	-	-	-
		Medium/High (4)	971	171	773	916	188	857	851	205	939	775	219	1019	681	230	1097
		High (5)	-	-	-	-	-	-	957	249	982	887	261	1052	788	266	1120
030 (2.5)	BHZ	Low (1)	828	110	673	759	125	771	-	-	-	-	-	-	-	-	-
		Low/Medium (2)	991	168	754	934	187	839	868	205	922	783	221	1003	-	-	-
		Medium (3)	1091	214	807	1041	234	883	983	253	958	910	269	1033	785	273	1106
		Medium/High (4)	1189	269	861	1144	288	927	1091	305	994	1027	318	1061	912	316	1132
		High (5)	-	-	-	1235	347	970	1186	360	1028	1125	368	1086	1007	352	1147
036 (3.0)	BHZ	Low (1)	1025	158	769	906	175	856	-	-	-	-	-	-	-	-	-
		Low/Medium (2)	1214	237	764	1125	260	839	1034	283	913	942	307	987	-	-	-
		Medium (3)	1370	305	779	1276	330	846	1179	354	913	1078	377	981	971	397	1048
		Medium/High (4)	-	-	-	1416	413	872	1314	436	932	1206	454	993	1083	460	1051
		High (5)	-	-	-	-	-	-	1441	530	970	1326	538	1022	1182	521	1070
042 (3.5)	BHZ	Low (1)	1241	221	702	1151	245	778	1058	268	853	-	-	-	-	-	-
		Low/Medium (2)	1406	299	759	1325	324	826	1242	349	893	1158	373	959	1072	396	1025
		Medium (3)	1536	376	808	1461	403	869	1384	427	928	1305	449	988	1223	468	1046
		Medium/High (4)	1656	466	858	1584	492	912	1509	515	966	1430	533	1019	1344	542	1070
		High (5)	-	-	-	1687	590	955	1611	610	1004	1527	620	1051	1428	615	1097
048 (4.0)	BHZ	Low (1)	1342	249	717	1250	273	789	-	-	-	-	-	-	-	-	-
		Low/Medium (2)	1596	397	817	1513	422	875	1432	447	934	1354	474	995	1276	501	1058
		Medium (3)	1705	476	858	1624	501	911	1545	526	966	1466	549	1021	1386	571	1077
		Medium/High (4)	1806	561	895	1726	587	945	1646	610	995	1564	628	1046	1476	639	1096
		High (5)	1898	652	929	1819	679	977	1736	698	1023	1646	709	1069	1547	706	1112
060 (5.0)	BHZ	Low (1)	1580	394	859	1504	420	917	-	-	-	-	-	-	-	-	-
		Low/Medium (2)	1614	419	874	1540	446	931	-	-	-	-	-	-	-	-	-
		Medium (3)	1733	508	924	1663	536	976	1588	559	1026	1501	572	1072	-	-	-
		Medium/High (4)	2003	737	1030	1922	746	1069	1829	746	1104	1712	728	1134	1528	659	1146
		High (5)	2214	968	1104	2089	918	1121	1949	859	1136	1785	787	1148	1576	689	1154

Additional Static Resistance

Size (Tons)	Model	CFM	Wet Indoor Coil	Economizer ¹	Filter/Frame Kit	Electric Heat
024 (2.0)	BHZ BHX BHQ	500	0.01	0.00	0.01	0.02
		600	0.01	0.00	0.02	0.03
		700	0.01	0.00	0.02	0.03
		800	0.01	0.01	0.02	0.03
		900	0.01	0.01	0.02	0.04
		1000	0.02	0.01	0.02	0.04
		1100	0.03	0.01	0.03	0.05
030 (2.5)	BHZ BHQ	700	0.01	0.00	0.02	0.03
		800	0.01	0.01	0.02	0.03
		900	0.01	0.01	0.02	0.04
		1000	0.02	0.01	0.02	0.04
		1100	0.03	0.01	0.03	0.05
		1200	0.04	0.02	0.03	0.06
036 (3.0)	BHZ BHX BHQ	1300	0.07	0.03	0.17	-
		700	0.01	0.00	0.02	0.03
		800	0.01	0.01	0.02	0.03
		900	0.01	0.01	0.02	0.04
		1000	0.02	0.01	0.02	0.04
		1100	0.03	0.01	0.03	0.05
		1200	0.04	0.02	0.03	0.06
		1300	0.04	0.03	0.03	0.07
042 (3.5)	BHZ BHQ	1400	0.04	0.04	0.03	0.08
		1100	0.03	0.01	0.03	0.05
		1200	0.04	0.02	0.03	0.06
		1300	0.04	0.03	0.03	0.07
		1400	0.04	0.04	0.03	0.08
048 (4.0)	BHZ BHX BHQ	1500	0.05	0.05	0.04	0.09
		1600	0.06	0.06	0.05	0.10
		1100	0.03	0.01	0.03	0.05
		1200	0.04	0.02	0.03	0.06
		1300	0.04	0.03	0.03	0.07
		1400	0.04	0.04	0.03	0.08
		1500	0.04	0.05	0.04	0.09
		1600	0.04	0.06	0.05	0.10
		1700	0.05	0.07	0.05	0.11
		1800	0.05	0.07	0.06	0.11
060 (5.0)	BHZ BHX BHQ	1900	0.06	0.08	0.06	0.11
		2000	0.07	0.08	0.07	0.12
		1100	0.03	0.01	0.03	0.05
		1200	0.04	0.02	0.03	0.06
		1300	0.04	0.03	0.03	0.07
		1400	0.04	0.04	0.03	0.08
		1500	0.04	0.05	0.04	0.09
		1600	0.04	0.06	0.05	0.10
		1700	0.05	0.07	0.05	0.11
		1800	0.05	0.07	0.06	0.11

1. The pressure drop through the economizer is greater for 100% outdoor air than for 100% return air. If the resistance of the return air duct is less than 0.25 IWG, the unit will deliver less CFM during full economizer operation.

Electric Heat Minimum Supply Air

Size (Tons)	Model	Voltage	Minimum Supply Air (CFM) Heater kW					
			3.8/5.0	5.6/7.5	7.5/10.0	11.3/15.0	15.0/20.0	18.8/25.0
024 (2.0)	BHZ	208/230-1-60	800	800	800	-	-	-
	BHX BHQ	208/230-1-60	720	720	720	-	-	-
030 (2.5)	BHZ BHQ	208/230-1-60	1000	1000	1000	1000	-	-
		208/230-3-60	1000	1000	1000	1000	-	-
		460-3-60	1000	1000	1000	1000	-	-
036 (3.0)	BHZ	208/230-1-60	1200	1200	1200	1200	-	-
		208/230-3-60	1200	1200	1200	1200	-	-
		460-3-60	1200	1200	1200	1200	-	-
	BHX BHQ	208/230-1-60	1080	1080	1080	1080	-	-
		208/230-3-60	1080	1080	1080	1080	-	-
		460-3-60	1080	1080	1080	1080	-	-
042 (3.5)	BHZ	208/230-1-60	-	-	1225	1225	-	-
		208/230-3-60	-	-	1225	1225	-	-
		460-3-60	-	-	1225	1225	-	-
	BHQ	208/230-1-60	-	-	1400	1400	-	-
		208/230-3-60	-	-	1400	1400	-	-
		460-3-60	-	-	1400	1400	-	-
048 (4.0)	BHZ	208/230-1-60	-	-	1600	1600	1600	1600
		208/230-3-60	-	-	1600	1600	1600	1600
		460-3-60	-	-	1600	1600	1600	1600
	BHX BHQ	208/230-1-60	-	-	1440	1440	1440	1440
		208/230-3-60	-	-	1440	1440	1440	1440
		460-3-60	-	-	1440	1440	1440	1440
060 (5.0)	BHZ	208/230-1-60	-	-	1750	1750	1750	1750
		208/230-3-60	-	-	1750	1750	1750	1750
		460-3-60	-	-	1750	1750	1750	1750
	BHX BHQ	208/230-1-60	-	-	1900	1900	1900	1900
		208/230-3-60	-	-	1900	1900	1900	1900
		460-3-60	-	-	1900	1900	1900	1900

Indoor Blower Specifications

Size (Tons)	Model	Motor				
		HP	RPM	Eff.	SF	Frame
024 (2.0)	BHZ	1/2	Variable	0.8	1.0	48
	BHX					
	BHQ					
030 (2.5)	BHZ	1/2	Variable	0.8	1.0	48
	BHQ					
036 (3.0)	BHZ	3/4	Variable	0.8	1.0	48
	BHX					
	BHQ					
042 (3.5)	BHZ	3/4	Variable	0.8	1.0	48
	BHQ					
048 (4.0)	BHZ	3/4	Variable	0.8	1.0	48
	BHX					
	BHQ					
060 (5.0)	BHZ	1	Variable	0.8	1.0	48
	BHX					
	BHQ					

Electric Heat Multipliers

Voltage		kW Capacity Multipliers ¹
Nominal	Applied	
240	208	0.75
	230	0.92
480	460	0.92
600	575	0.92

1. Electric heaters are rated at nominal voltage. Use this table to determine the electric heat capacity for heaters applied at lower voltages.

Sound Performance

Outdoor Sound Power Levels

Size (Tons)	Model	Sound Rating ¹ dB (A)	Octave Band Centerline Frequency (Hz)						
			125	250	500	1000	2000	4000	8000
024 (2.0)	BHZ	77	64	74	71	69	65.5	58	46
	BHX BHQ	75	65.5	66.5	69	69.5	64	62	57
030 (2.5)	BHZ	77	65	66.5	72	71.5	68.5	65.5	64.5
	BHQ	77	65	66.5	72	71.5	68.5	65.5	64.5
036 (3.0)	BHZ	78	67.5	67	73	73	69	64.5	61.5
	BHX BHQ	79	73	71.5	72	71	67	64.5	60
042 (3.5)	BHZ	77	64.5	67	71.5	72.5	69.5	64.5	59
	BHQ	77	64.5	67	71.5	72.5	69.5	64.5	59
048 (4.0)	BHZ	78	65	67	72	72	69	67.5	63
	BHX BHQ	80	70	71	75	74	70	66	67
060 (5.0)	BHZ	85	70	72.5	79	79.5	76	73.5	73
	BHX BHQ	80	67	69	73.5	77	69	66.5	60

1. Rated in accordance with ARI 270 standard.

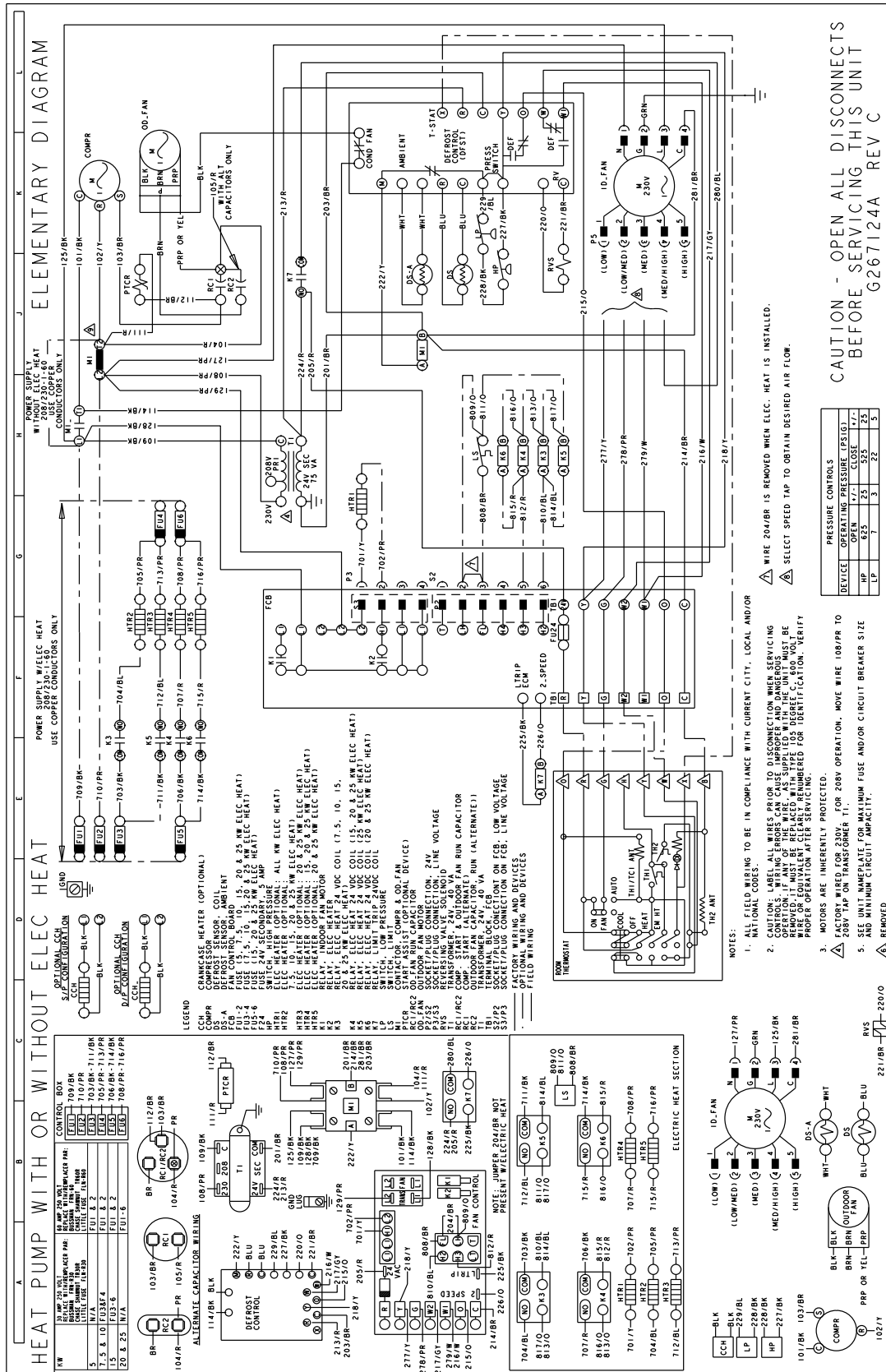
Electrical Data

BHZ024-060 Heat Pump With/Without Electric Heat

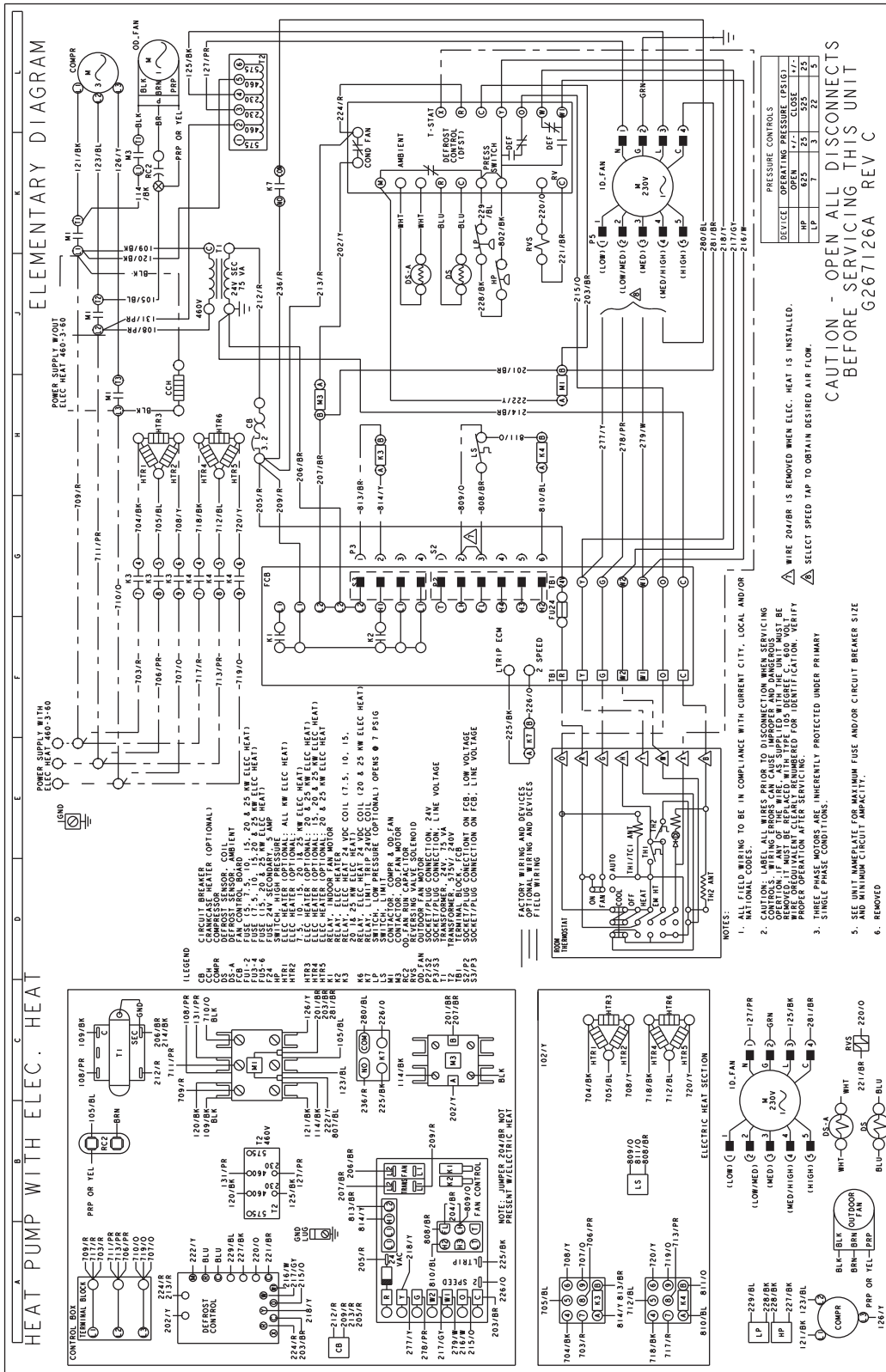
Size (Tons)	Volt	Compressors (each)			OD Fan Motors (each)	Supply Blower Motor	Electric Heat Option				MCA ¹ (Amps)	Max Fuse ^{2/} Breaker ³ Size (Amps)
		RLA	LRA	MCC	FLA	FLA	Model	kW	Stages	Amps		
024 (2.0)	208/230-1-60	12.8	60	20	1.2	4.1	None	-	-	-	21.3	30
							2NH04500506	3.8/5	1	18.1/20.8	43.9/47.3	50/50
							2NH04500706	5.6/7.5	2	27.1/31.3	55.2/60.4	60/70
							2NH04501006	7.5/10	2	36.1/41.7	66.4/73.4	70/80
030 (2.5)	208/230-1-60	14.7	73	23	1.2	4.1	None	-	-	-	23.7	30
							2NH04500506	3.8/5	1	18.1/20.8	46.2/49.7	50/50
							2NH04500706	5.6/7.5	2	27.1/31.3	57.5/62.7	60/70
							2NH04501006	7.5/10	2	36.1/41.7	68.8/75.8	70/80
	208/230-3-60	10.4	60	16	1.2	4.1	None	-	-	-	18.3	25
							2NH04501025	7.5/10	1	20.8/24.1	44.4/48.4	45/50
							2NH04501525	11.3/15	1	31.3/36.1	57.4/63.4	60/70
							None	-	-	-	8.5	15
							2NH04501046	10	1	12	23.5	25
							2NH04501546	15	1	18	31	35
460-3-60	4.5	31	7	0.8	2.1	None	-	-	-	8.5	15	
						2NH04501046	10	1	12	23.5	25	
036 (3.0)	208/230-1-60	15.4	83	24	1.2	6.0	None	-	-	-	26.5	35
							2NH04500506	3.8/5	1	18.1/20.8	49/52.5	50/60
							2NH04500706	5.6/7.5	2	27.1/31.3	60.3/65.5	70/70
							2NH04501006	7.5/10	2	36.1/41.7	71.6/78.5	80/80
	208/230-3-60	11.5	77	18	1.2	6.0	None	-	-	-	21.6	30
							2NH04501025	7.5/10	1	20.8/24.1	47.6/51.6	50/60
							2NH04501525	11.3/15	1	31.3/36.1	60.7/66.7	70/70
							None	-	-	-	10.1	15
	460-3-60	5.1	35	8	0.8	3.0	2NH04501046	10	1	12	25.2	30
							2NH04501546	15	1	18	32.7	35
							None	-	-	-	10.1	15
							2NH04501046	10	1	12	25.2	30
							2NH04501546	15	1	18	32.7	35
							None	-	-	-	30.5	40
042 (3.5)	208/230-1-60	18.6	105	29	1.2	6.0	2NP04501006	7.5/10	2	36.1/41.7	75.6/82.5	80/90
							2NP04501506	11.3/15	2	54.2/62.5	98.2/108.6	100/110
							2ND04501506	3.8/5	1	18.1/20.8	53/56.5	60/60
								7.5/10	1	36.1/41.7	75.6/82.5	80/90
	208/230-3-60	13.4	88	21	1.2	6.0	None	-	-	-	24	30
							2NP04501025	7.5/10	1	20.8/24.1	50/54	60/60
							2NP04501525	11.3/15	1	31.3/36.1	63/69.1	70/70
							None	-	-	-	11.8	15
	460-3-60	6.4	39	10	0.8	3.0	2NP04501046	10	1	12	26.8	30
							2NP04501546	15	1	18	34.3	35
None							-	-	-	11.8	15	
2NP04501046							10	1	12	26.8	30	
2NP04501546							15	1	18	34.3	35	
None							-	-	-	33.6	45	
048 (4.0)	208/230-1-60	21.1	113	33	1.2	6.0	2NP04501006	7.5/10	2	36.1/41.7	78.7/85.7	90/90
							2NP04501506	11.3/15	2	54.2/62.5	101.3/111.7	110/125
							2NP04502006	15/20	2	72.2/83.3	123.9/137.7	125/150
							2NP04502506	18.8/25	2	90.3/104.2	146.4/163.8	150/175
	208/230-3-60	16.0	120	25	1.2	6.0	None	-	-	-	27.2	35
							2NP04501025	7.5/10	1	20.8/24.1	53.3/57.3	60/60
							2NP04501525	11.3/15	1	31.3/36.1	66.3/72.3	70/80
							2NP04502025	15/20	2	41.7/48.1	79.3/87.3	80/90
							2NP04502525	18.8/25	2	52.1/60.1	92.4/102.4	100/110
							None	-	-	-	14.1	20
	460-3-60	8.3	60	13	0.8	3.0	2NP04501046	10	1	12	29.2	30
							2NP04501546	15	1	18	36.7	40
							2NP04502046	20	2	24.1	44.2	45
							2NP04502546	25	2	30.1	51.8	60
None							-	-	-	42.7	60	
2NP04501006							7.5/10	2	36.1/41.7	87.8/94.7	100/110	
060 (5.0)	208/230-1-60	26.2	150	41	2.3	7.6	2NP04501506	11.3/15	2	54.2/62.5	110.4/120.8	125/125
							2NH04502006	15/20	2	72.2/83.3	132.9/146.8	150/150
							2NP04502506	18.8/25	2	90.3/104.2	155.5/172.9	175/175
							None	-	-	-	32.3	40
	208/230-3-60	17.9	120	28	2.3	7.6	2NH04501025	7.5/10	1	20.8/24.1	58.3/62.3	70/70
							2NH04501525	11.3/15	1	31.3/36.1	71.4/77.4	80/80
							2NH04502025	15/20	2	41.7/48.1	84.4/92.4	90/100
							2NH04502525	18.8/25	2	52.1/60.1	97.4/107.5	100/110
							None	-	-	-	17.1	25
							2NP04501046	10	1	12	32.1	35
460-3-60	9.6	70	15	1.3	3.8	2NH04501546	15	1	18	39.7	40	
						2NH04502046	20	2	24.1	47.2	50	
						2NP04502546	25	2	30.1	54.7	60	
						None	-	-	-	17.1	25	
						2NP04501046	10	1	12	32.1	35	
						2NP04501546	15	1	18	39.7	40	

1. Minimum Circuit Ampacity.
2. Maximum Over Current Protection per standard UL 1995.
3. Fuse or HACR circuit breaker size installed at factory or field installed.

Typical BHZ024-060 Heat Pump 208/230-1-60 volt Wiring Diagram



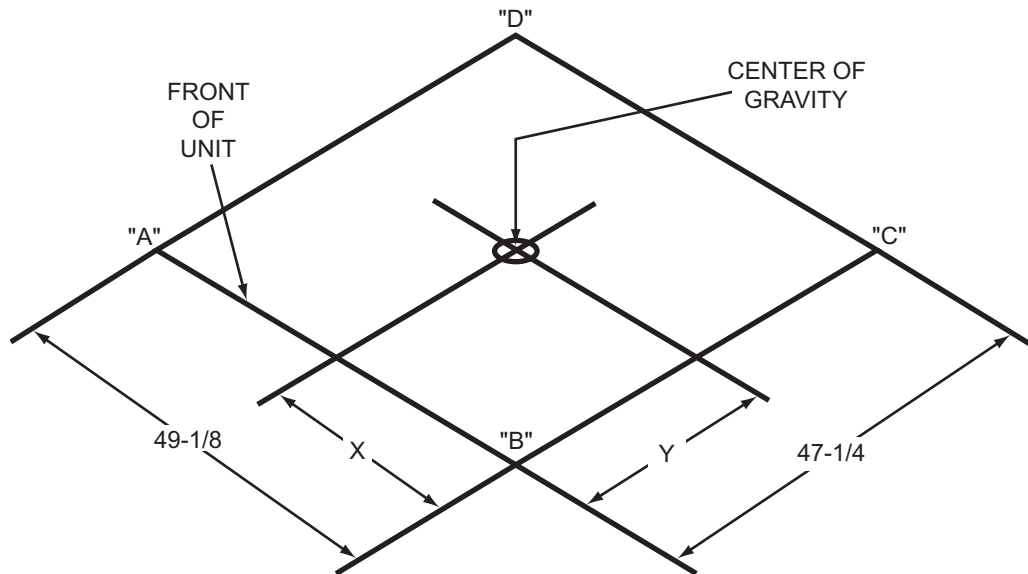
Typical BHZ030-060 Heat Pump 460-3-60 volt Wiring Diagram



Weights and Dimensions

BHX, BHQ and BHZ Unit Weights

Unit 4 Point Load Weight



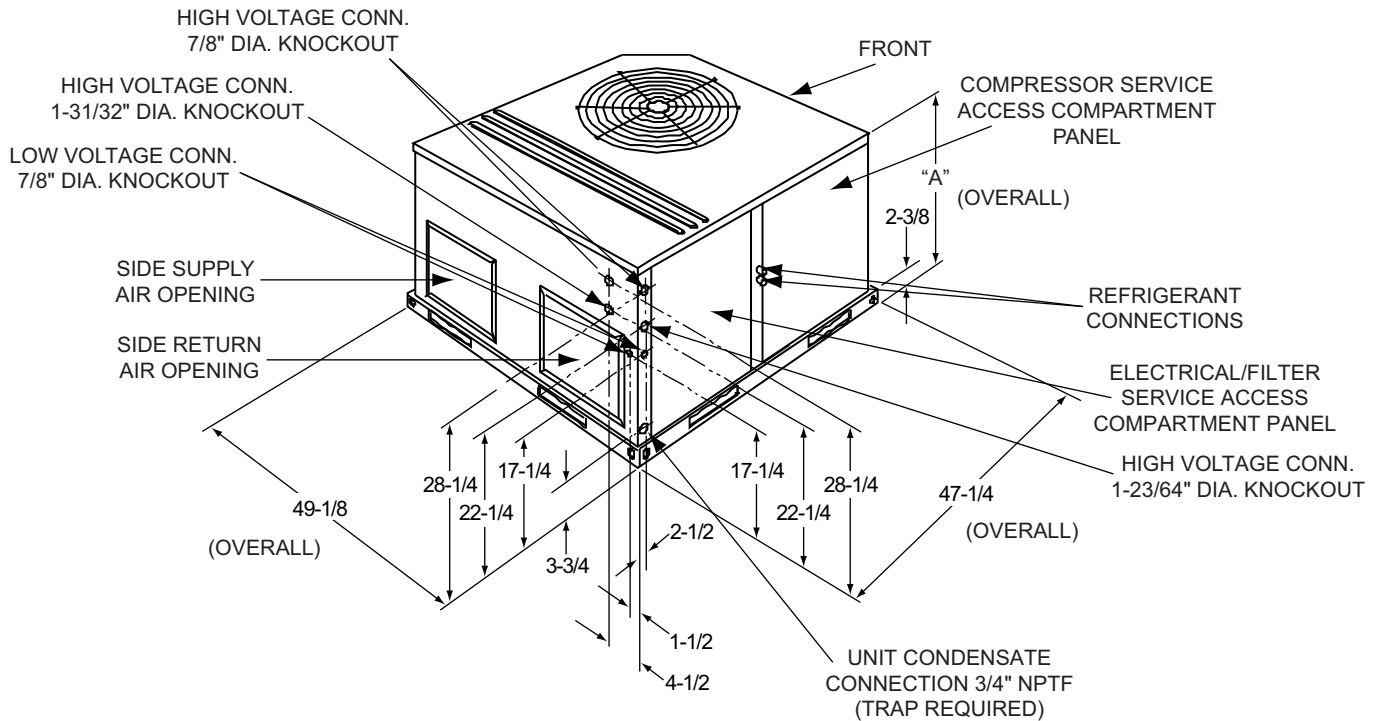
Size (Tons)	Model	Weight (lbs.)		Center of Gravity		4 Point Load Location (lbs.)			
		Shipping	Operating	X	Y	A	B	C	D
024 (2.0)	BHZ	360	355	22.25	25	96	84	81	93
	BHQ	360	355	22.25	25	96	84	81	93
	BHX	385	380	22.25	25	103	90	87	100
030 (2.5)	BHZ	355	350	22.25	25	96	84	81	93
	BHQ	380	375	22.25	25	102	89	86	98
036 (3.0)	BHZ	395	390	22.25	25	106	92	89	102
	BHQ	405	400	22.25	25	109	95	92	105
	BHX	405	400	21.75	24.25	108	90	92	110
042 (3.5)	BHZ	445	440	22.25	25	120	104	101	115
	BHQ	425	420	22.25	25	114	100	96	110
048 (4.0)	BHZ	490	485	22.25	25	132	115	111	127
	BHQ	445	440	22.25	25	120	104	101	115
	BHX	445	440	22	26	126	107	95	112
060 (5.0)	BHZ	500	495	22.25	25	135	117	113	130
	BHQ	495	490	22.25	26	137	122	109	122
	BHX	465	460	22	26.25	133	113	99	116

Unit Accessory Weights

Unit Accessory	Model	Weight (lbs.)	
		Shipping	Operating
Add Economizer	All	45	40
Add Electric Heat ¹	BHX, BHQ and BHZ	13	12

1. Weight given is for the maximum heater size available (25 kW).

Heat Pump Unit Dimensions



Heat Pump Unit Dimensions

Unit Size	Dimensions
	"A"
024, 030 ¹ , 036	33-1/2
042 ¹ , 048, 060	41-1/2

1. BHZ and BHQ Models.

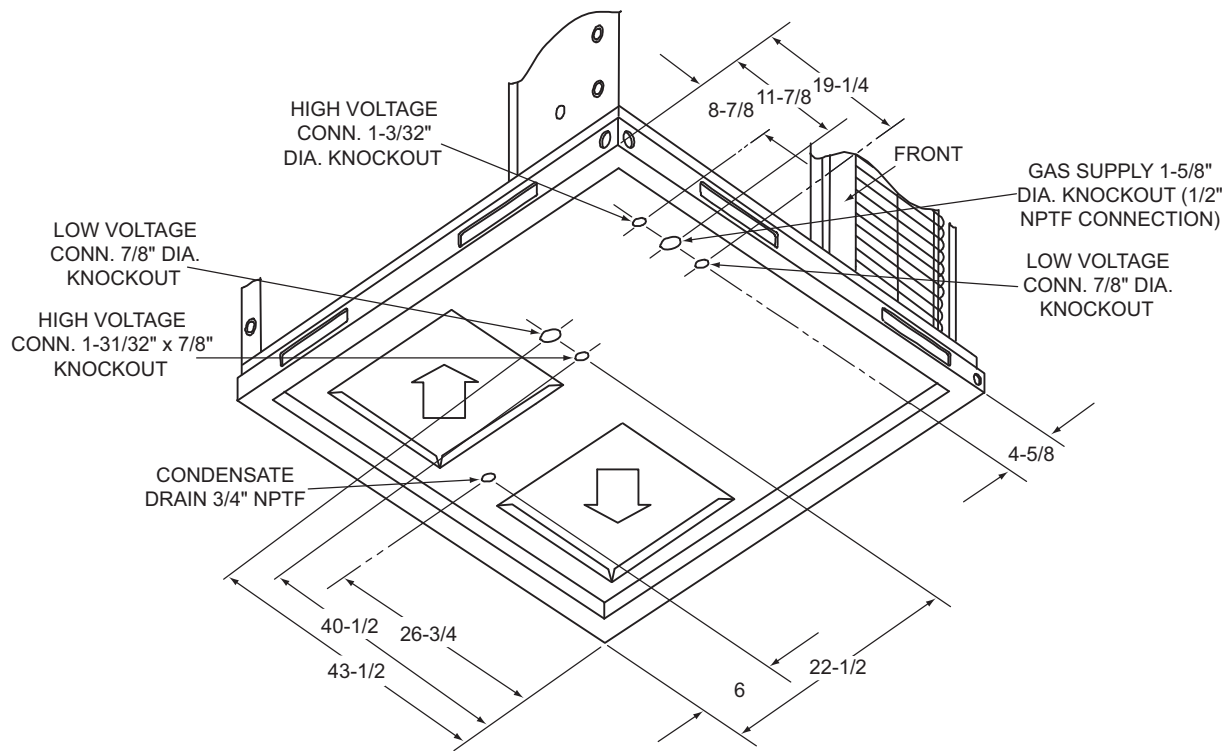
Heat Pump Unit Clearances

Direction	Distance (in.)	Direction	Distance (in.)
Top ¹	36	Right	24
Front	12	Left	24
Rear	0	Bottom ^{2 3}	0

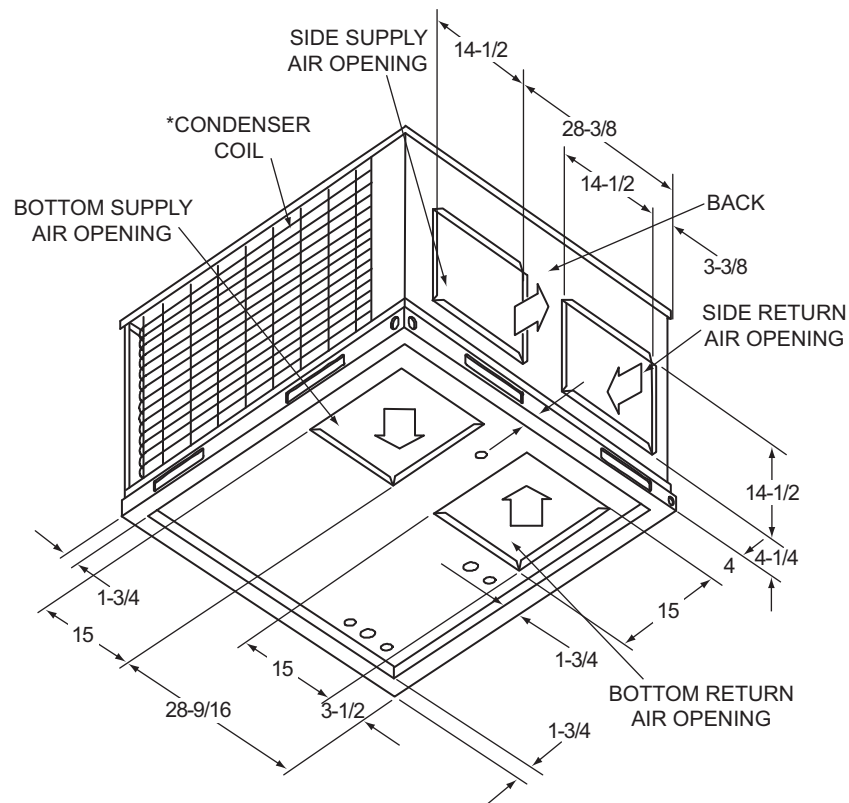
- Units must be installed outdoors. Over hanging structure or shrubs should not obscure condenser air discharge outlet.
- Units may be installed on combustible floors made from wood or class A, B or C roof covering materials.
- Minimum Clearance of 1 inch all sides of supply air duct for the first 3 foot of duct for 20 & 25 kW., zero inches there after. For all other heaters, zero inch clearance all sides for entire length of duct.

Note: For units applied with a roof curb, the minimum clearance may be reduced from 1 inch to 1/2 inch between combustible roof curb material and this supply air duct.

Unit Dimensions Front and Bottom

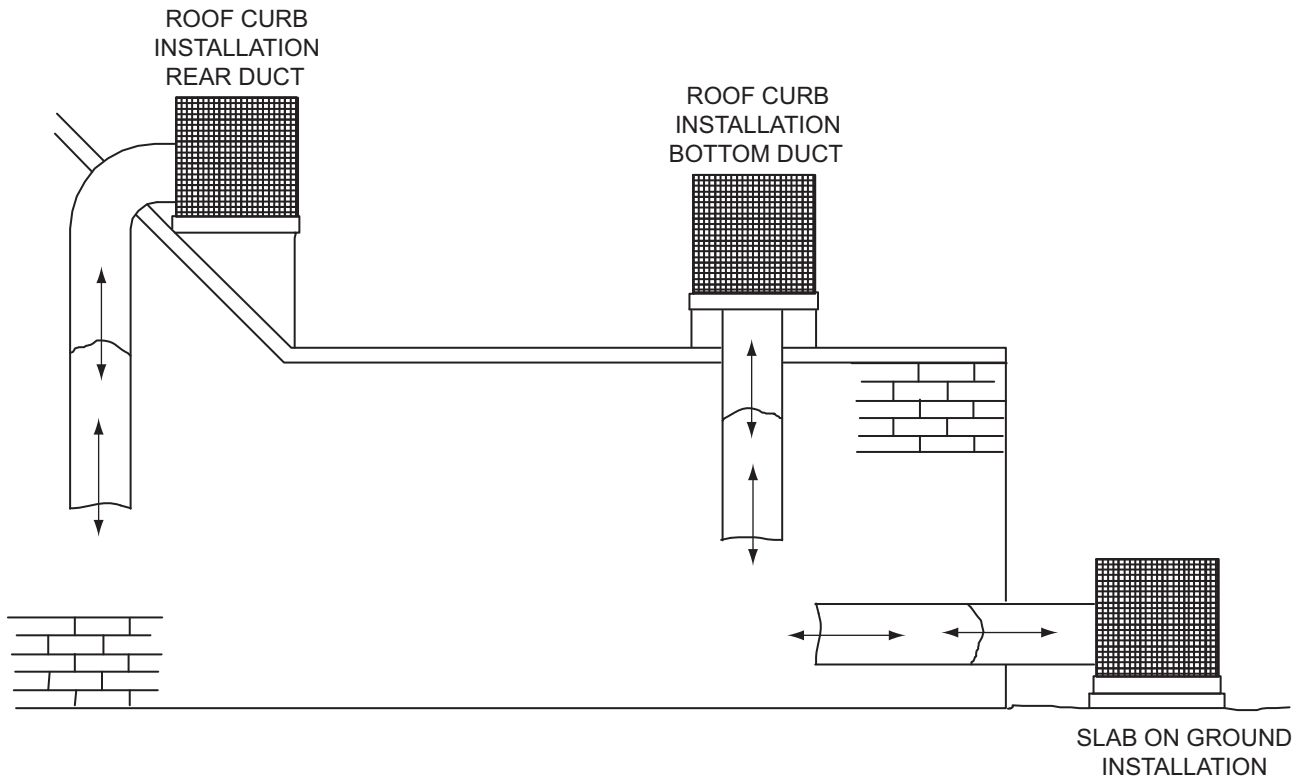


Unit Dimensions Back and Bottom



* See Features for details.

Unit Typical Duct Applications



Unit Typical Slab on Ground Installation

