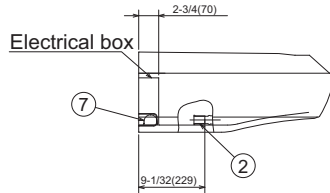
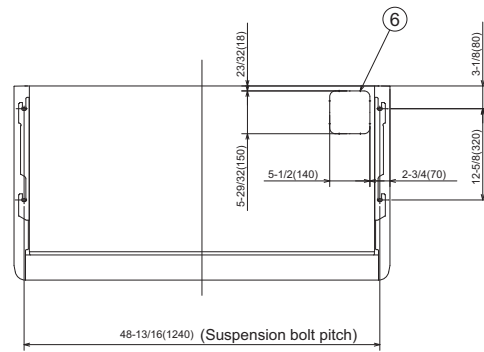
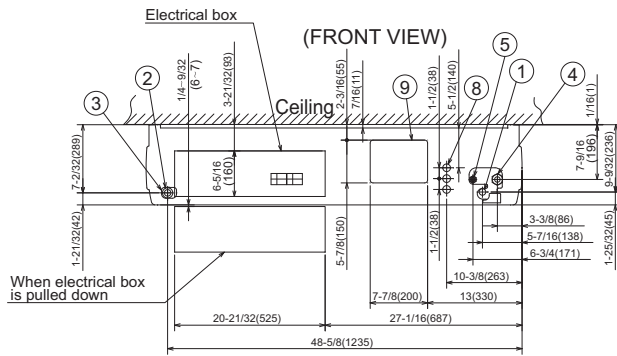


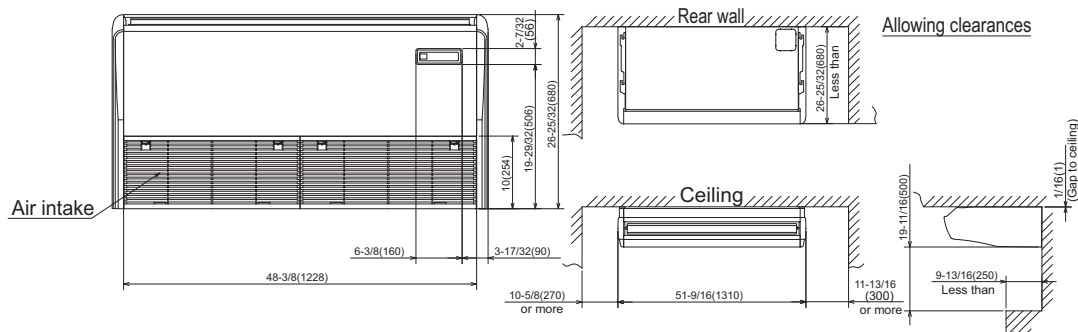
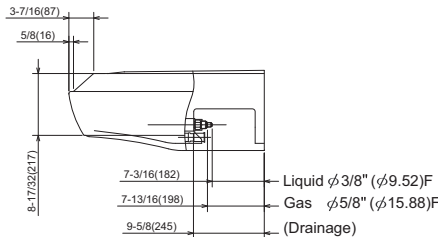
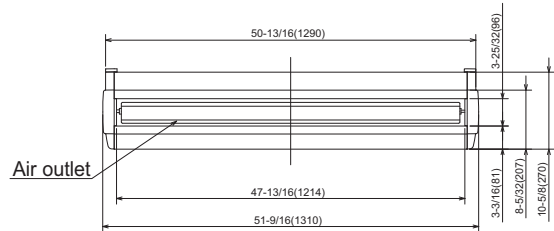
Model: PCFY-P30NGMU-E



NOTES.

1. Use M10 or W3/8 screw for anchor bolt.
2. Please be sure when installing the condensate pump, refrigerant pipe will be only upper drainpipe arrangement.

- ① Drainage pipe connection(1-1/32(26mm)I.D.)
- ② Drainage pipe connection (for the left arrangement)
- ③ Knockout hole for left drain-piping arrangement
- ④ Refrigerant-pipe connection (gas pipe side/flared connection)
- ⑤ Refrigerant-pipe connection (liquid pipe side/flared connection)
- ⑥ Knockout hole for upper drainpipe arrangement
- ⑦ Knockout hole for left drainpipe arrangement
- ⑧ Knockout hole for wiring arrangement
- ⑨ Knockout hole for outside air intake



Certificate Number FM33568

Mitsubishi Electric Air Conditioning & Refrigeration Systems Works acquired ISO 9001 certification under Series 9000 of the International Standard Organization (ISO) based on a review of quality warranties for the production of refrigeration and air conditioning equipment.

ISO Authorization System

The ISO 9000 series is a plant authorization system relating to quality warranties as stipulated by the ISO. ISO 9001 certifies quality warranties based on the "design, development, production, installation and auxiliary services" for products built at an authorized plant.



Certificate Number EC97J1227

Mitsubishi Electric Air Conditioning & Refrigeration Systems Works acquired environmental management system standard ISO 14001 certification.

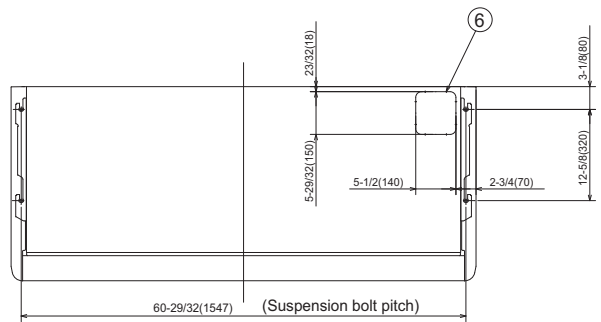
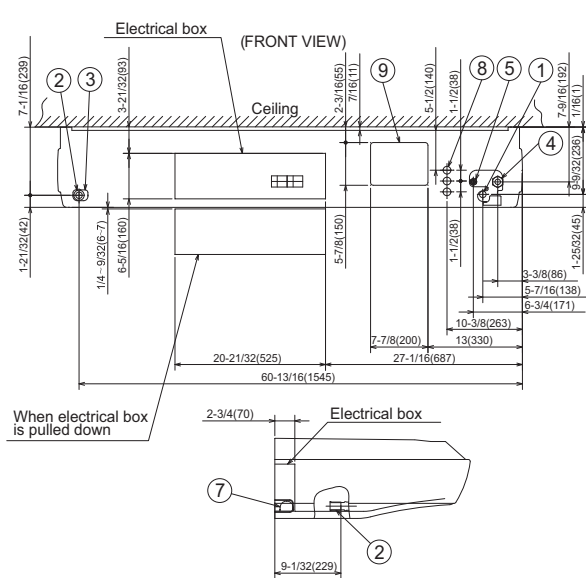
The ISO 14000 series is a set of standards applying to environmental protection set by the International Standard Organization (ISO).



HVAC Advanced Products Division
Mitsubishi Electric & Electronics USA, Inc.

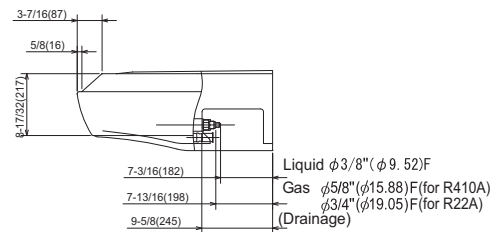
3400 Lawrenceville Suwanee Rd.
Suwanee, GA 30024
Tel: 678-376-2900 • Fax: 800-889-9904
Toll Free: 800-433-4822 (#4)
www.mehvac.com

Model: PCFY-P36NGMU-E

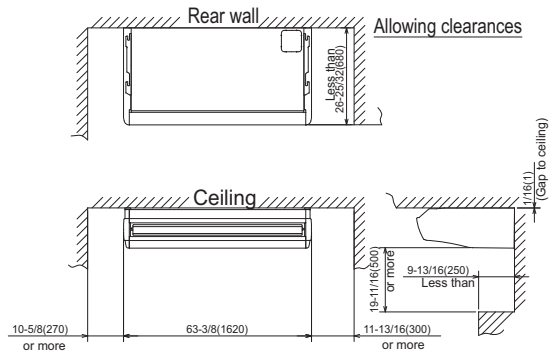
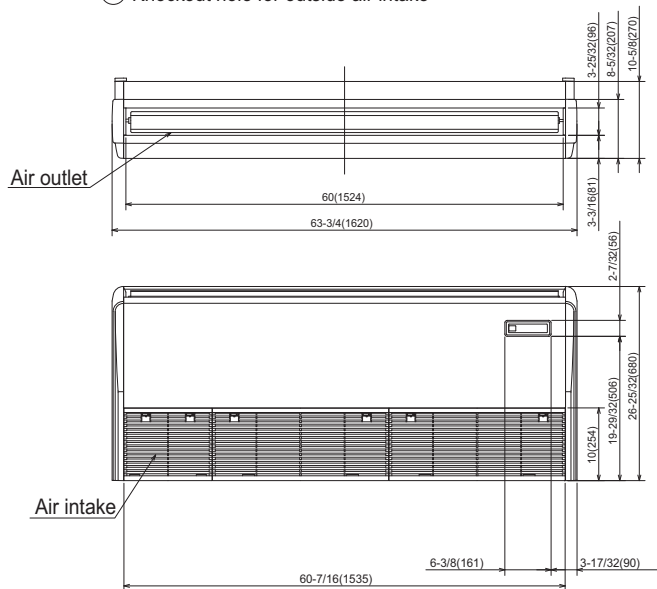


NOTES.

1. Use M10 or W3/8 screw for anchor bolt.
2. Please be sure when installing the condensate pump, refrigerant pipe will be only upper drainpipe arrangement.



- ① Drainage pipe connection (1-1/32(26mm) I.D.)
- ② Drainage pipe connection (for the left arrangement)
- ③ Knockout hole for left drain-piping arrangement
- ④ Refrigerant-pipe connection (gas pipe side/flared connection)
- ⑤ Refrigerant-pipe connection (liquid pipe side/flared connection)
- ⑥ Knockout hole for upper drainpipe arrangement
- ⑦ Knockout hole for left drainpipe arrangement
- ⑧ Knockout hole for wiring arrangement
- ⑨ Knockout hole for outside air intake



Certificate Number FM33568

Mitsubishi Electric Air Conditioning & Refrigeration Systems Works acquired ISO 9001 certification under Series 9000 of the International Standard Organization (ISO) based on a review of quality warranties for the production of refrigeration and air conditioning equipment.

ISO Authorization System

The ISO 9000 series is a plant authorization system relating to quality warranties as stipulated by the ISO. ISO 9001 certifies quality warranties based on the "design, development, production, installation and auxiliary services" for products built at an authorized plant.



Mitsubishi Electric Air Conditioning & Refrigeration Systems Works acquired environmental management system standard ISO 14001 certification.

The ISO 14000 series is a set of standards applying to environmental protection set by the International Standard Organization (ISO).

Certificate Number EC97J1227



HVAC Advanced Products Division
Mitsubishi Electric & Electronics USA, Inc.

3400 Lawrenceville Suwanee Rd.
Suwanee, GA 30024
Tele: 678-376-2900 • Fax: 800-889-9904
Toll Free: 800-433-4822 (#4)
www.mehvac.com