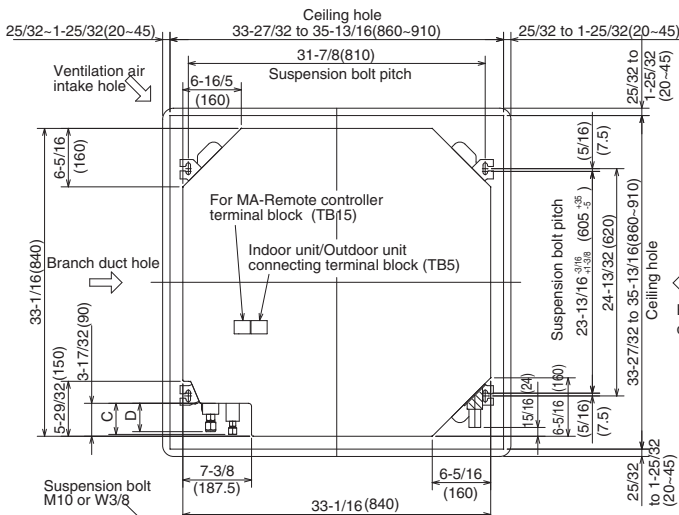
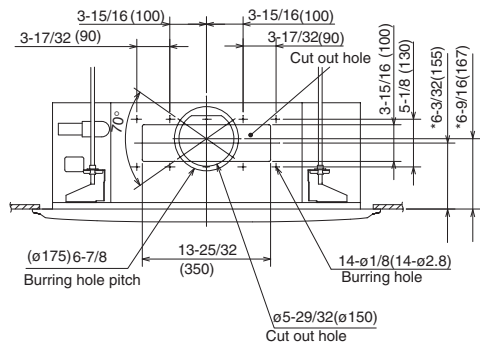


Model: PLFY-P12NBMU-E – DIMENSIONS

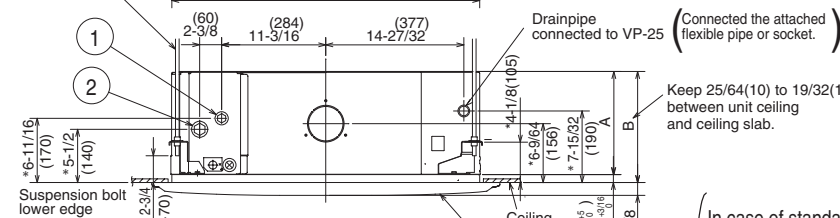
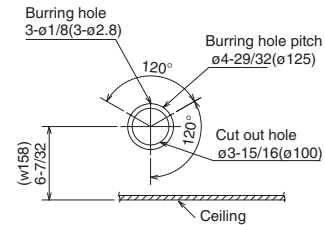
Unit : inch(mm)



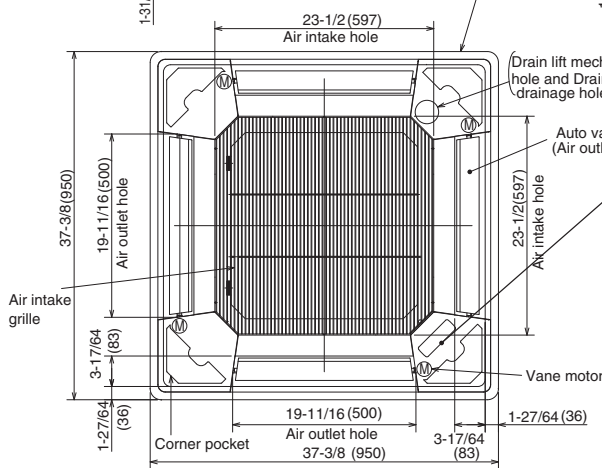
Detail connecting of branch duct



Detail drawing of ventilation air intake hole

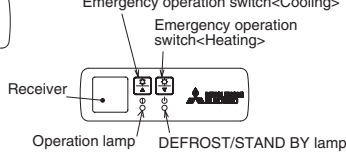


Keep 25/64(10) to 19/32(15) between unit ceiling and ceiling slab.



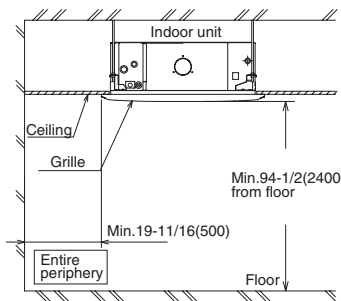
In case of standard grille

In case of wireless signal receiver



Note:

- As for drainpipe, please use O.D. 1-1/4(32) PVC TUBE. Drain lift mechanism is included.
- As for suspension bolt, please use M10 or 3/8. (Procured at local site)
- Electrical box may be removed for the service purpose. Make sure to slack the electrical wire little bit for control/power wires connection.
- The height of the indoor unit is able to be adjusted with the grille attached.
- For the installation of the optional high efficiency filter or optional multi-functional casement.
 - Add 5-5/16"(135mm) to the dimensions marked with an * on the figures.
 - The optional high efficiency filter becomes optional multi-functional casement and concomitant use.
- When installing the branch ducts, be sure to insulate adequately. Otherwise condensation and dripping may occur. As for necessary installation / service space, please refer to the bottom, left figure.



Models	1	2	A	B	C	D
PLFY-P12NBMU-E PLFY-P15NBMU-E	Refrigerant pipe --ø6.35 Flared connection ...1/4"	Refrigerant pipe --ø12.7 Flared connection ...1/2"				
PLFY-P18NBMU-E	Refrigerant pipe ø6.35 / ø9.52 Flared connection 1/4" / 3/8" (compatible)	Refrigerant pipe ø12.7 / ø15.88 Flared connection 1/2" / 5/8" (compatible)	9-1/2 (241)	10-3/16 (258)	3-5/32 (80)	2-29/32 (74)
PLFY-P24NBMU-E PLFY-P30NBMU-E	Refrigerant pipe --ø9.52 Flared connection ...3/8"	Refrigerant pipe --ø15.88 Flared connection ...5/8"				
PLFY-P36NBMU-E	Refrigerant pipe --ø15.88 / ø19.05 Flared connection 5/8" / 3/4"	Refrigerant pipe ø15.88 / ø19.05 Flared connection 5/8" / 3/4" (compatible)	11-1/16 (281)	11-3/4 (298)	3-11/32 (85)	3-1/32 (77)

Mitsubishi Electric Air Conditioning & Refrigeration Systems Works acquired ISO 9001 certification under Series 9000 of the International Standard Organization (ISO) based on a review of quality warranties for the production of refrigeration and air conditioning equipment.

ISO Authorization System
The ISO 9000 series is a plant authorization system relating to quality warranties as stipulated by the ISO. ISO 9001 certifies quality warranties based on the "design, development, production, installation and auxiliary services" for products built at an authorized plant.

Mitsubishi Electric Air Conditioning & Refrigeration Systems Works acquired environmental management system standard ISO 14001 certification.

The ISO 14000 series is a set of standards applying to environmental protection set by the International Standard Organization (ISO).



Certificate Number EC97J1227

C SD - PLFY-P12NBMU-E - 1 - 200709 © MITSUBISHI ELECTRIC / HVAC 2007



MITSUBISHI ELECTRIC

HVAC Advanced Products Division

Mitsubishi Electric & Electronics USA, Inc.

3400 Lawrenceville Suwanee Rd.

Suwanee, GA 30024

Tele: 678-376-2900 • Fax: 800-889-9904

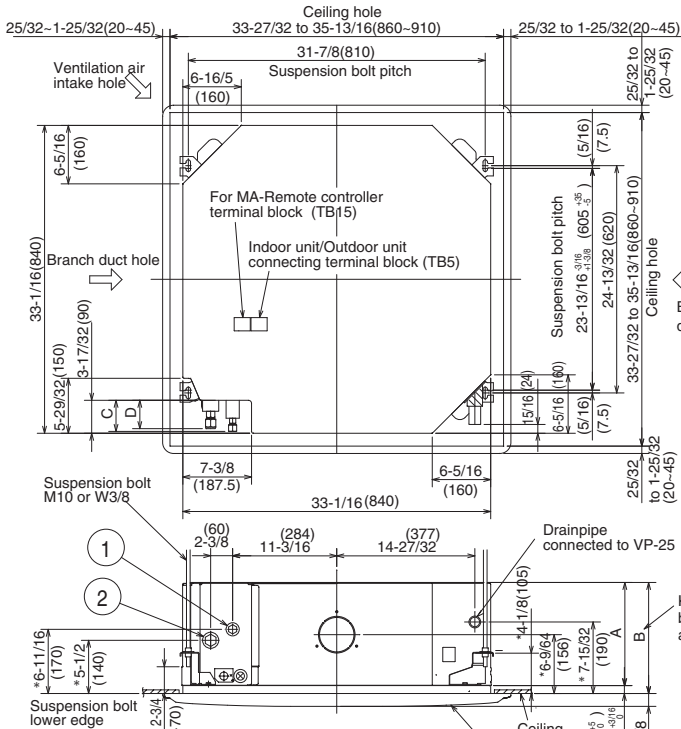
Toll Free: 800-433-4822 (#4)

www.mehvac.com

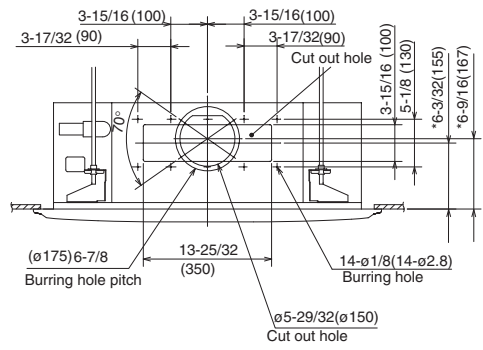
Specifications are subject to change without notice.

Model: PLFY-P15NBMU-E – DIMENSIONS

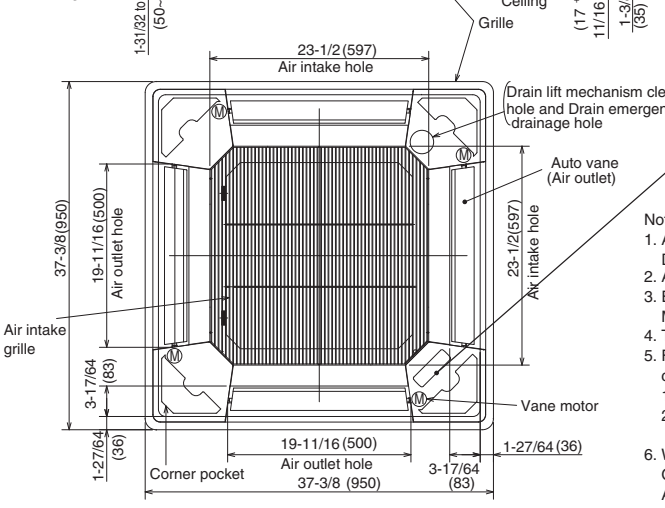
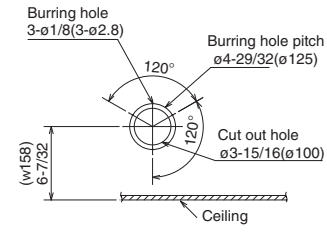
Unit : inch(mm)



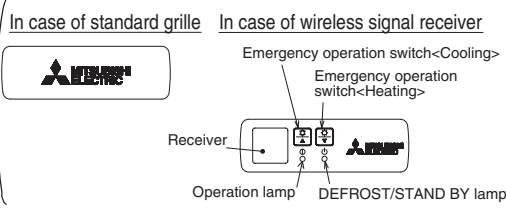
Detail connecting of branch duct



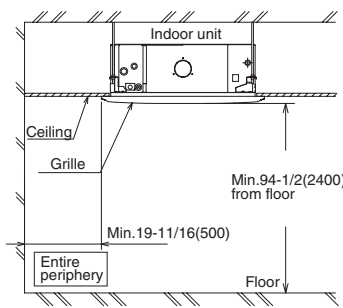
Detail drawing of ventilation air intake hole



Drainpipe connected to VP-25 (Connected the attached flexible pipe or socket.)
Keep 25/64(10) to 19/32(15) between unit ceiling and ceiling slab.



- Note:
- As for drainpipe, please use O.D. 1-1/4(32) PVC TUBE. Drain lift mechanism is included.
 - As for suspension bolt, please use M10 or 3/8. (Procured at local site)
 - Electrical box may be removed for the service purpose.
 - Make sure to slack the electrical wire little bit for control/power wires connection.
 - The height of the indoor unit is able to be adjusted with the grille attached.
 - For the installation of the optional high efficiency filter or optional multi-functional casement.
 - Add 5-5/16"(135mm) to the dimensions marked with an * on the figures.
 - The optional high efficiency filter becomes optional multi-functional casement and concomitant use.
 - When installing the branch ducts, be sure to insulate adequately. Otherwise condensation and dripping may occur.
- As for necessary installation / service space, please refer to the bottom, left figure.



Models	1	2	A	B	C	D
PLFY-P12NBMU-E PLFY-P15NBMU-E	Refrigerant pipe --ø6.35 Flared connection ...1/4"	Refrigerant pipe --ø12.7 Flared connection ...1/2"				
PLFY-P18NBMU-E	Refrigerant pipe ø6.35 / ø9.52 Flared connection 1/4" / 3/8" (compatible)	Refrigerant pipe ø12.7 / ø15.88 Flared connection 1/2" / 5/8" (compatible)	9-1/2 (241)	10-3/16 (258)	3-5/32 (80)	2-29/32 (74)
PLFY-P24NBMU-E PLFY-P30NBMU-E	Refrigerant pipe --ø9.52 Flared connection ...3/8"	Refrigerant pipe --ø15.88 Flared connection ...5/8"				
PLFY-P36NBMU-E	Refrigerant pipe --ø15.88 / ø19.05 Flared connection 5/8" / 3/4"	Refrigerant pipe ø15.88 / ø19.05 Flared connection 5/8" / 3/4"	11-1/16 (281)	11-3/4 (298)	3-11/32 (85)	3-1/32 (77)



Mitsubishi Electric Air Conditioning & Refrigeration Systems Works acquired ISO 9001 certification under Series 9000 of the International Standard Organization (ISO) based on a review of quality warranties for the production of refrigeration and air conditioning equipment.

ISO Authorization System
The ISO 9000 series is a plant authorization system relating to quality warranties as stipulated by the ISO. ISO 9001 certifies quality warranties based on the "design, development, production, installation and auxiliary services" for products built at an authorized plant.



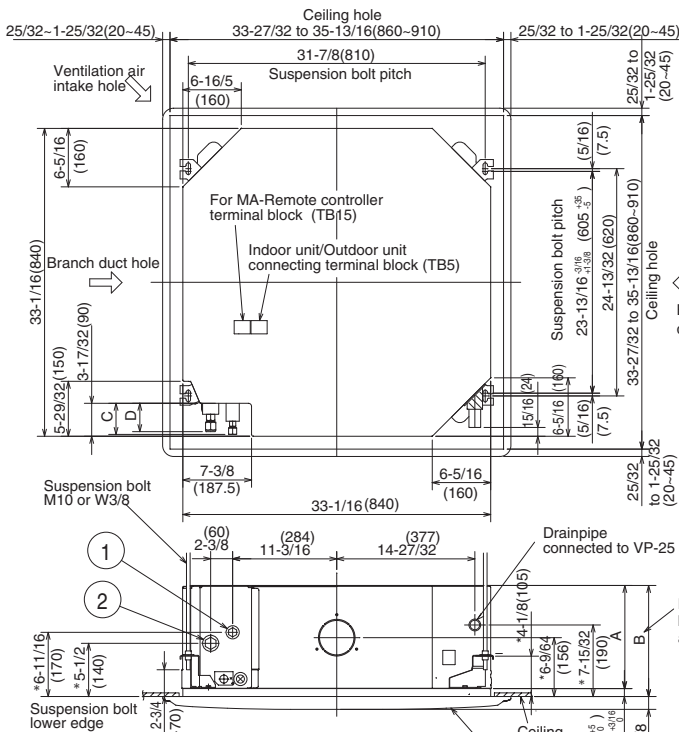
Mitsubishi Electric Air Conditioning & Refrigeration Systems Works acquired environmental management system standard ISO 14001 certification.

The ISO 14000 series is a set of standards applying to environmental protection set by the International Standard Organization (ISO).

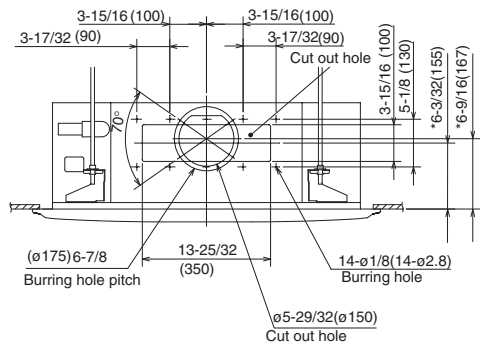
MITSUBISHI ELECTRIC
HVAC Advanced Products Division
Mitsubishi Electric & Electronics USA, Inc.
3400 Lawrenceville Suwanee Rd.
Suwanee, GA 30024
Tele: 678-376-2900 • Fax: 800-889-9904
Toll Free: 800-433-4822 (#4)
www.mehvac.com
Specifications are subject to change without notice.

Model: PLFY-P24NBMU-E – DIMENSIONS

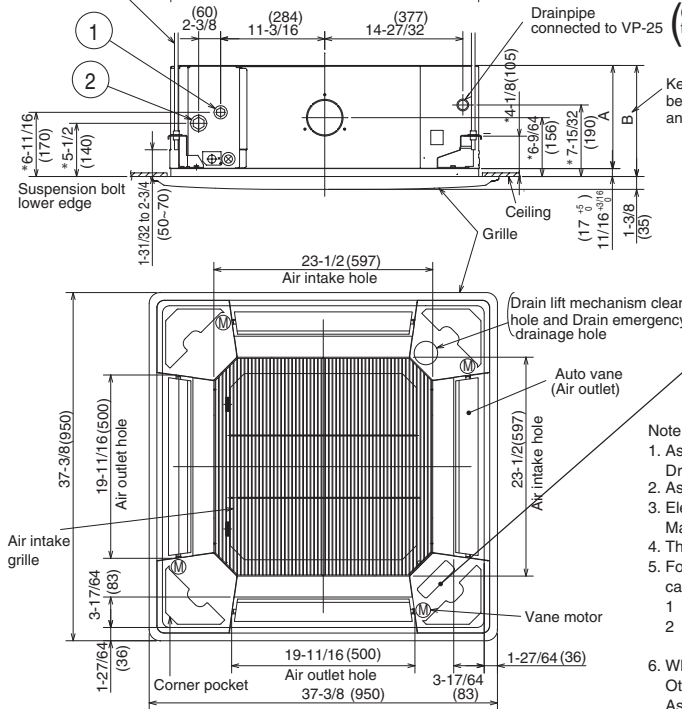
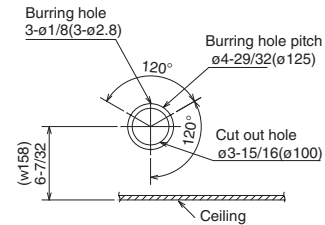
Unit : inch(mm)



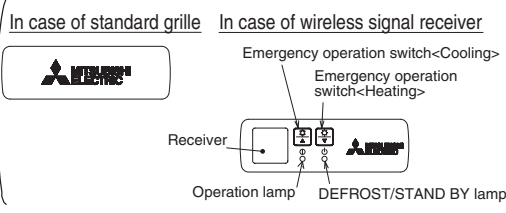
Detail connecting of branch duct



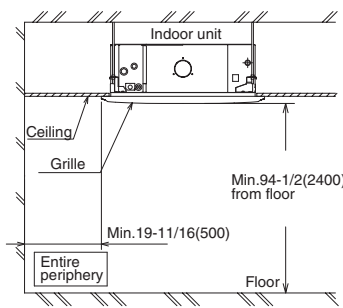
Detail drawing of ventilation air intake hole



Drainpipe connected to VP-25 (Connected the attached flexible pipe or socket.)
Keep 25/64(10) to 19/32(15) between unit ceiling and ceiling slab.



- Note:
- As for drainpipe, please use O.D. 1-1/4(32) PVC TUBE. Drain lift mechanism is included.
 - As for suspension bolt, please use M10 or 3/8. (Procured at local site)
 - Electrical box may be removed for the service purpose. Make sure to slack the electrical wire little bit for control/power wires connection.
 - The height of the indoor unit is able to be adjusted with the grille attached.
 - For the installation of the optional high efficiency filter or optional multi-functional casement.
 - Add 5-5/16"(135mm) to the dimensions marked with an * on the figures.
 - The optional high efficiency filter becomes optional multi-functional casement and concomitant use.
 - When installing the branch ducts, be sure to insulate adequately. Otherwise condensation and dripping may occur. As for necessary installation / service space, please refer to the bottom, left figure.



Models	1	2	A	B	C	D
PLFY-P12NBMU-E PLFY-P15NBMU-E	Refrigerant pipe --ø6.35 Flared connection ---1/4"	Refrigerant pipe --ø12.7 Flared connection ---1/2"				
PLFY-P18NBMU-E	Refrigerant pipe ø6.35 / ø9.52 Flared connection 1/4" / 3/8" (compatible)	Refrigerant pipe ø12.7 / ø15.88 Flared connection 1/2" / 5/8" (compatible)	9-1/2 (241)	10-3/16 (258)	3-5/32 (80)	2-29/32 (74)
PLFY-P24NBMU-E PLFY-P30NBMU-E	Refrigerant pipe --ø9.52 Flared connection ---3/8"	Refrigerant pipe --ø15.88 Flared connection ---5/8"				
PLFY-P36NBMU-E	Refrigerant pipe --ø15.88 / ø19.05 Flared connection 5/8" / 3/4"	Refrigerant pipe ø15.88 / ø19.05 Flared connection 5/8" / 3/4"	11-1/16 (281)	11-3/4 (298)	3-11/32 (85)	3-1/32 (77)



Mitsubishi Electric Air Conditioning & Refrigeration Systems Works acquired ISO 9001 certification under Series 9000 of the International Standard Organization (ISO) based on a review of quality warranties for the production of refrigeration and air conditioning equipment.

ISO Authorization System
The ISO 9000 series is a plant authorization system relating to quality warranties as stipulated by the ISO. ISO 9001 certifies quality warranties based on the "design, development, production, installation and auxiliary services" for products built at an authorized plant.



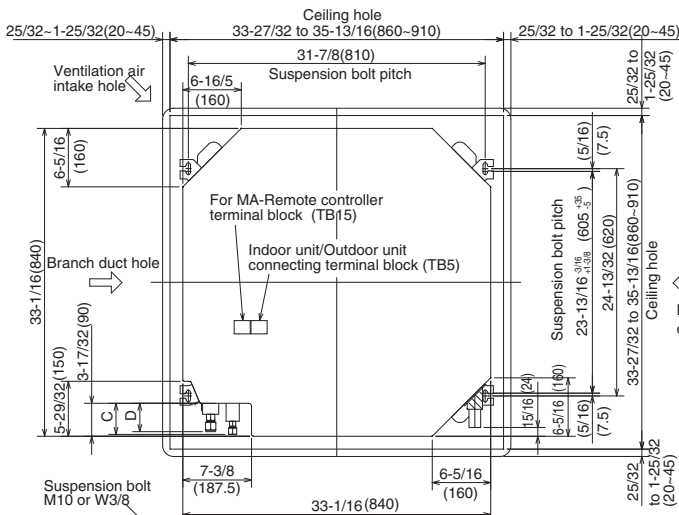
Mitsubishi Electric Air Conditioning & Refrigeration Systems Works acquired environmental management system standard ISO 14001 certification.

The ISO 14000 series is a set of standards applying to environmental protection set by the International Standard Organization (ISO).

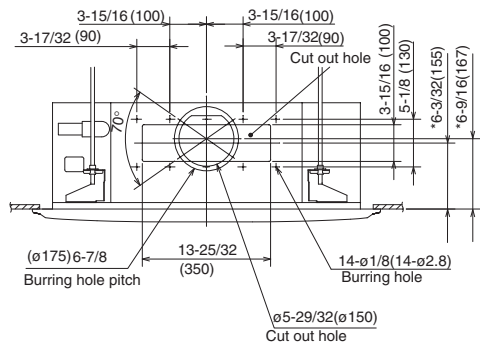
MITSUBISHI ELECTRIC
HVAC Advanced Products Division
Mitsubishi Electric & Electronics USA, Inc.
3400 Lawrenceville Suwanee Rd.
Suwanee, GA 30024
Tele: 678-376-2900 • Fax: 800-889-9904
Toll Free: 800-433-4822 (#4)
www.mehvac.com
Specifications are subject to change without notice.

Model: PLFY-P36NBMU-E – DIMENSIONS

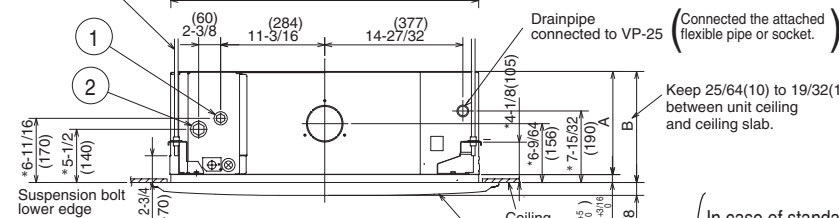
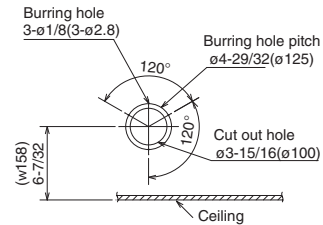
Unit : inch(mm)



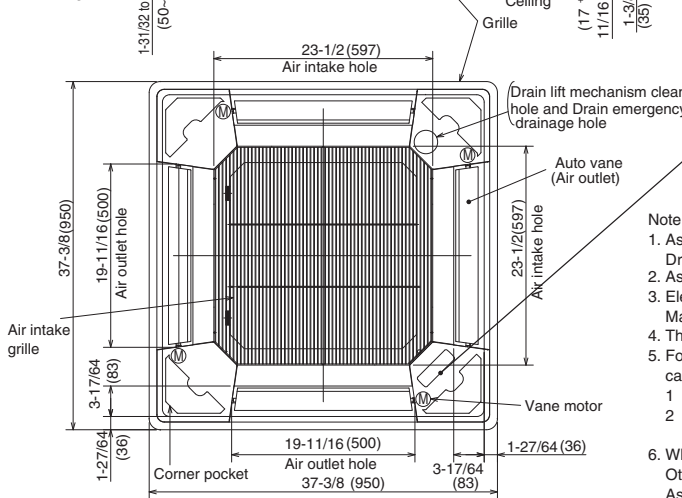
Detail connecting of branch duct



Detail drawing of ventilation air intake hole

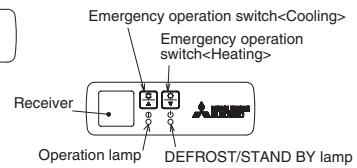


Keep 25/64 (10) to 19/32 (15) between unit ceiling and ceiling slab.



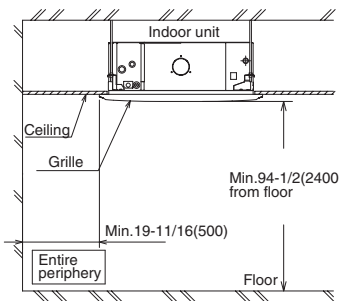
In case of standard grille

In case of wireless signal receiver



Note:

- As for drainpipe, please use O.D. 1-1/4 (32) PVC TUBE. Drain lift mechanism is included.
- As for suspension bolt, please use M10 or 3/8. (Procured at local site)
- Electrical box may be removed for the service purpose. Make sure to slack the electrical wire little bit for control/power wires connection.
- The height of the indoor unit is able to be adjusted with the grille attached.
- For the installation of the optional high efficiency filter or optional multi-functional casement.
 - Add 5-5/16" (135mm) to the dimensions marked with an * on the figures.
 - The optional high efficiency filter becomes optional multi-functional casement and concomitant use.
- When installing the branch ducts, be sure to insulate adequately. Otherwise condensation and dripping may occur. As for necessary installation / service space, please refer to the bottom, left figure.



Models	1	2	A	B	C	D
PLFY-P12NBMU-E PLFY-P15NBMU-E	Refrigerant pipe ...ø6.35 Flared connection ...1/4"	Refrigerant pipe ...ø12.7 Flared connection ...1/2"				
PLFY-P18NBMU-E	Refrigerant pipe ø6.35 / ø9.52 Flared connection 1/4" / 3/8" (compatible)	Refrigerant pipe ø12.7 / ø15.88 Flared connection 1/2" / 5/8" (compatible)	9-1/2 (241)	10-3/16 (258)	3-5/32 (80)	2-29/32 (74)
PLFY-P24NBMU-E PLFY-P30NBMU-E	Refrigerant pipe ...ø9.52 Flared connection ...3/8"	Refrigerant pipe ...ø15.88 Flared connection ...5/8"				
PLFY-P36NBMU-E	Refrigerant pipe ...ø15.88 / ø19.05 Flared connection ...3/8"	Refrigerant pipe ø15.88 / ø19.05 Flared connection 5/8" / 3/4"	11-1/16 (281)	11-3/4 (298)	3-11/32 (85)	3-1/32 (77)

Mitsubishi Electric Air Conditioning & Refrigeration Systems Works acquired ISO 9001 certification under Series 9000 of the International Standard Organization (ISO) based on a review of quality warranties for the production of refrigeration and air conditioning equipment.

ISO Authorization System
The ISO 9000 series is a plant authorization system relating to quality warranties as stipulated by the ISO. ISO 9001 certifies quality warranties based on the "design, development, production, installation and auxiliary services" for products built at an authorized plant.

Mitsubishi Electric Air Conditioning & Refrigeration Systems Works acquired environmental management system standard ISO 14001 certification.

The ISO 14000 series is a set of standards applying to environmental protection set by the International Standard Organization (ISO).



Certificate Number EC97J1227

C SD - PLFY-P36NBMU-E - 1 - 200707 © MITSUBISHI ELECTRIC / HVAC 2007



HVAC Advanced Products Division

Mitsubishi Electric & Electronics USA, Inc.

3400 Lawrenceville Suwanee Rd.

Suwanee, GA 30024

Tele: 678-376-2900 • Fax: 800-889-9904

Toll Free: 800-433-4822 (#4)

www.mehvac.com

Specifications are subject to change without notice.