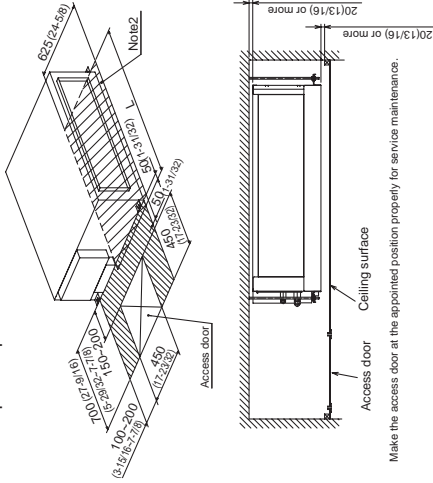


PEFY-P15,18,24,27,30,36,48,54NMHU-E

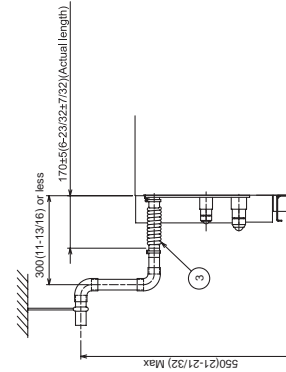
Drw. : IU-W277664
Unit : mm(in)

- Note 1. Use M10 screw for the Suspension bolt (field supply).
- 2. Keep the service space for the maintenance from the bottom when the heat exchanger is cleaned.
- 3. This chart indicates for PEFY-P36-48-54NMHU-E models, which has 2 fans.
- PEFY-P15-18-24-27-30NMHU-E models have 1 fan.
- 4. Make sure to install the air filter(field supply) on the air intake side. In case field supplied air filter is used, attach it where the filter service is easily done.
- 5. On Model : 18,36,48,54, you would use fire nut packed with the Inboard Unit, when connecting the Outdoor Unit for R22.

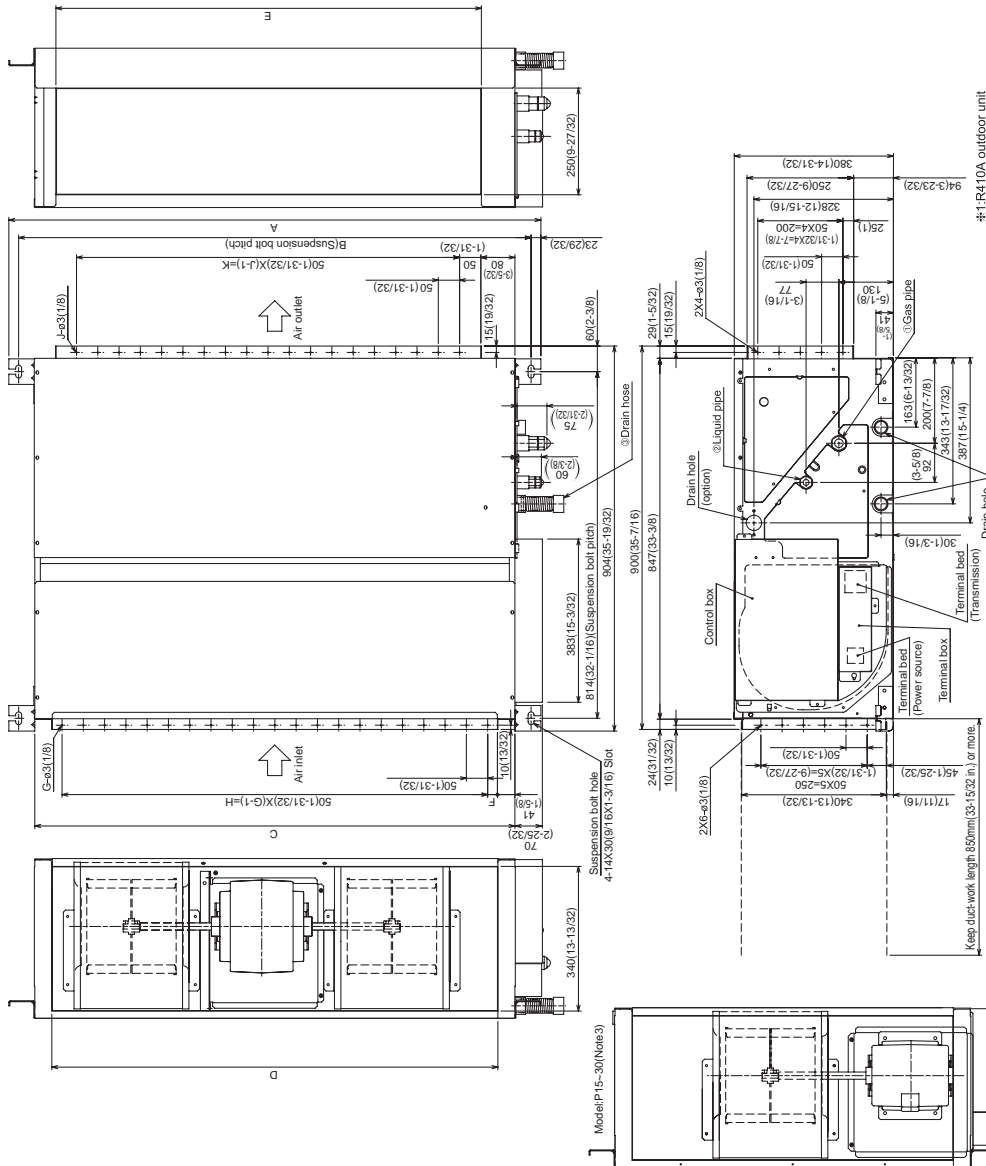
Required space for service and maintenance.



Make the access door at the appointed position properly for service maintenance.



When installing the drain pump kit (option).



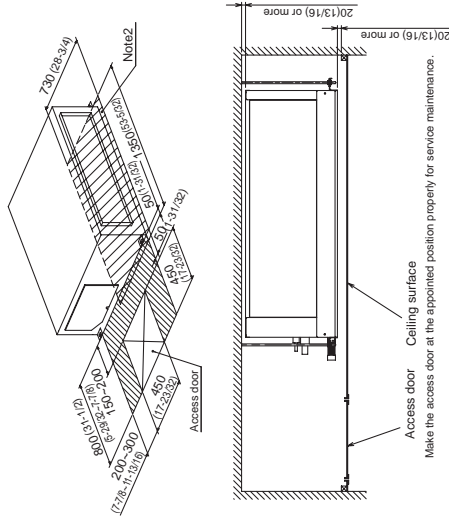
Model	A	B	C	D	E	F	G	H	J	K	L	① Gas pipe-flare-	② Liquid pipe-flare-	③ Drain hose
PEFY-P15NMHU-E	800	754	680	600	550	50	450	500	10	450	780	ø12.7(1/2)	ø6.35(1/4)	ø12.7(1/2)
PEFY-P18NMHU-E	(31-1/2)	(28-1/16)	(26-25/32)	(23-5/8)	(21-21/32)	(1-31/32)	(17-23/32)	(19-11/16)		(17-23/32)	(30-23/32)	#1 ø12.7(1/2)	#2 ø6.35(1/4)	Drain hose 32mm(1-1/4inch)
PEFY-P24NMHU-E	1050	1004	930	850	800	25	700	800	15	700	1030	#2 ø15.88(5/8)	#2 ø9.52(3/8)	<flexible joints>
PEFY-P27-30NMHU-E	(41-11/32)	(38-17/32)	(36-5/8)	(33-1/2)	(31-1/2)	(1)	(27-9/16)	(31-1/2)		(27-9/16)	(40-9/16)	#1 ø15.88(5/8)	#1 ø9.52(3/8)	(necessary)
PEFY-P36-48-54NMHU-E	1250	1204	1130	1050	1000	25	900	1000	19	900	1230	#1 ø15.88(5/8)	#1 ø9.52(3/8)	
	(49-7/32)	(47-13/32)	(44-1/2)	(41-11/32)	(39-3/8)	(1)	(35-7/16)	(48-7/16)		(35-7/16)	(48-7/16)	#2 ø15.05(3/4)	#2 ø9.52(3/8)	

PEFY-P72,96NMHU-E

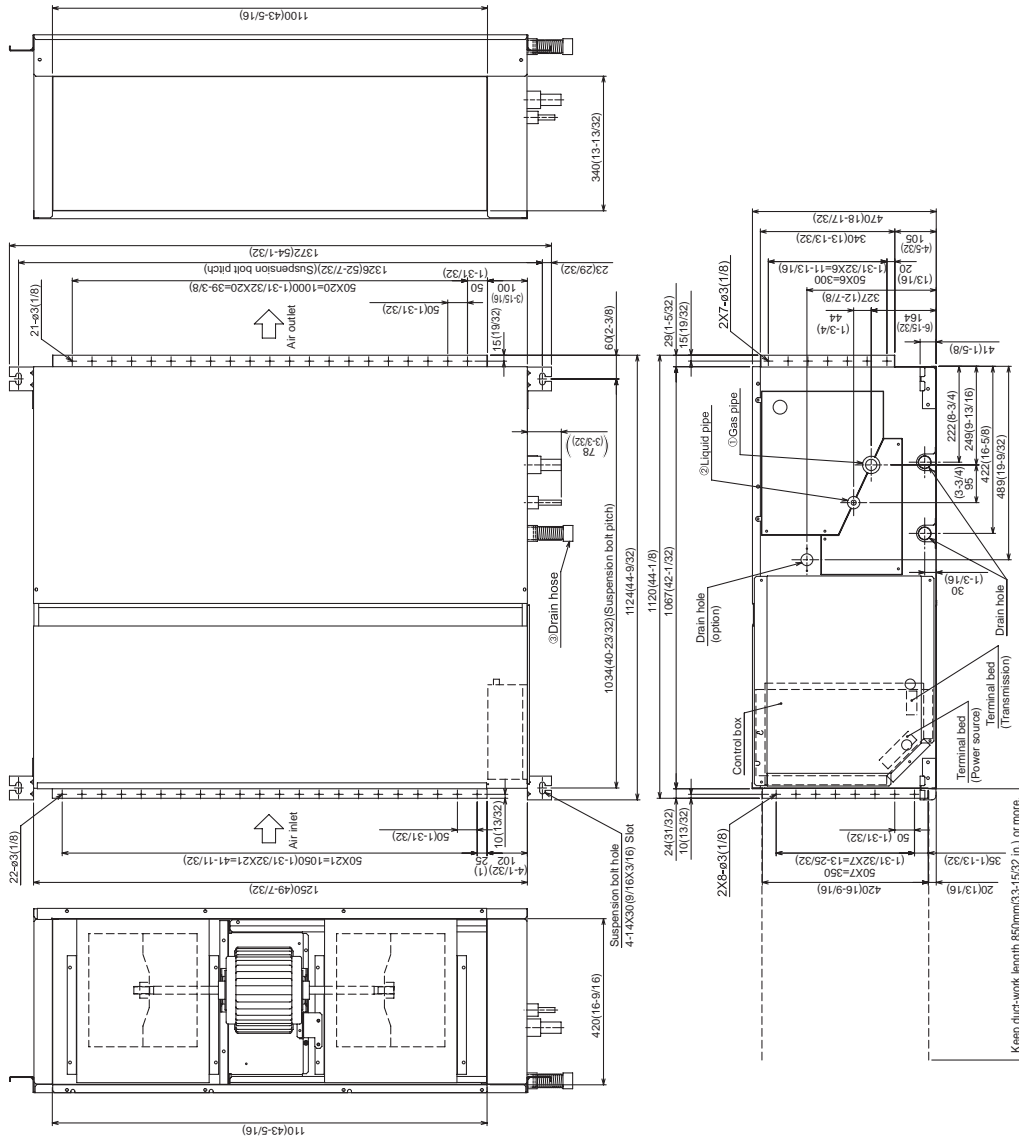
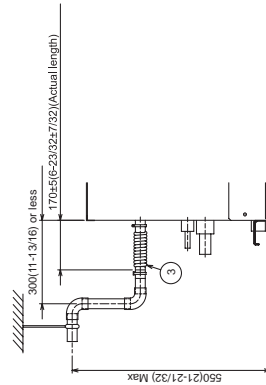
Draw. : IU-W277665
Unit : mm(in)

- Note1. Use M10 screw for the Suspension bolt (field supply).
- 2. Keep the service space for the maintenance from the bottom when the heat exchanger is cleaned.
- 3. Make sure to install the air filter(field supply) on the air intake side.
- In case field supplied air filter is used, attach it where the filter service is easily done.
- 4. On this model, you would use pipe packed with the Indoor Unit, when connecting the Outdoor Unit for R22.

Required space for service and maintenance.



When installing the drain pump kit (option).



Model	#1:R410A outdoor unit		#2:R22 outdoor unit		#3: Drain hose	
	① Gas pipe -bracing->	② Liquid pipe -bracing->	① Gas pipe -bracing->	② Liquid pipe -bracing->	③ Drain hose	③ Drain hose
PEFY-P72NMHU-E	#1	ø19.05(3/4)	#1	ø6.52(3/8)	Drain hose 32mm	
	#2	ø25.4(1)	#2	ø12.7(1/2)	-flexible joint->	
PEFY-P96NMHU-E	#1	ø25.2(7/8)	#1	ø8.52(3/8)	(accessory)	
	#2	ø28.58(1.5/32)	#2	ø12.7(1/2)		